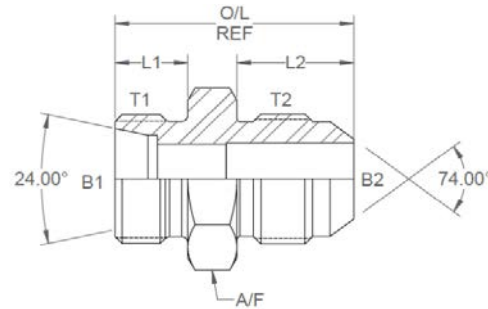


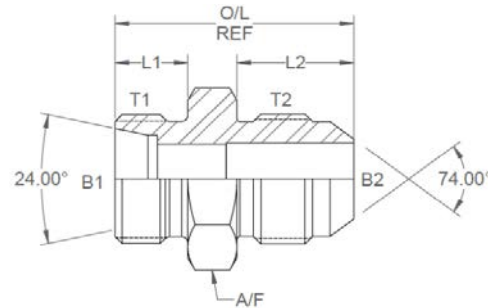
All dimensions are imperial unless stated.



Add -CWNR to part number for complete with nuts and rings, i.e. 01-06L04J-CWNR.

	T1	T2	B1	B2	L1	L2	O/L	A/F
01-06L04J	M12 x 1.5	7/16	0.172	0.172	0.394	0.550	1.200	17mm
01-08L04J	M14 x 1.5	7/16	0.236	0.172	0.394	0.550	1.200	0.625
01-08L06J	M14 x 1.5	9/16	0.236	0.297	0.394	0.556	1.200	19mm
01-10L04J	M16 x 1.5	7/16	0.315	0.172	0.433	0.550	1.250	17mm
01-10L06J	M16 x 1.5	9/16	0.297	0.297	0.500	0.556	1.370	22mm
01-10L08J	M16 x 1.5	3/4	0.315	0.391	0.433	0.657	1.390	22mm
01-12L06J	M18 x 1.5	9/16	0.394	0.297	0.433	0.556	1.290	22mm
01-12L08J	M18 x 1.5	3/4	0.391	0.391	0.433	0.657	1.400	22mm
01-15L08J	M22 x 1.5	3/4	0.472	0.391	0.472	0.657	1.440	27mm
01-15L10J	M22 x 1.5	7/8	0.472	0.484	0.472	0.758	1.550	27mm
01-15L12J	M22 x 1.5	1-1/16	0.472	0.609	0.472	0.864	1.730	1.125
01-18L12J	M26 x 1.5	1-1/16	0.609	0.609	0.472	0.864	1.730	30mm
01-35L16J	M45 x 2	1-5/16	0.000	0.000	0.000	0.000	0.000	0
01-22LX212J	M30 x 2	1-1/16	0.609	0.609	0.551	0.864	1.820	32mm
01-22LX216J	M30 x 2	1-5/16	0.748	0.844	0.551	0.911	1.870	1.375
01-28LX212J	M36 x 2	1-1/16	0.609	0.609	0.551	0.864	1.845	41mm
01-28LX216J	M36 x 2	1-5/16	0.844	0.844	0.551	0.911	1.880	41mm
01-35LX216J	M45 x 2	1-5/16	1.181	0.844	0.630	0.911	2.040	50mm
01-35LX220J	M45 x 2	1-5/8	1.078	1.078	0.630	0.958	2.090	50mm
01-42LX224J	M52 x 2	1-7/8	1.312	1.312	0.630	1.083	2.205	55mm

DESIGN DETAILS AND SPECIFICATIONS SUBJECT TO CHANGE WITHOUT PRIOR NOTICE - Whilst every effort has been made to ensure the accuracy of the information supplied herein, Burnett & Hillman cannot be held responsible for any errors or omissions (E&OE)



Add -CWNR to part number for complete with nuts and rings, i.e. 01-06L04J-CWNR.

	T1	T2	B1	B2	L1	L2	O/L	A/F
01-06L04J	M12 x 1.5	7/16	4.37	4.37	10.01	13.97	30.48	17mm
01-08L04J	M14 x 1.5	7/16	5.99	4.37	10.01	13.97	30.48	0.625
01-08L06J	M14 x 1.5	9/16	5.99	7.54	10.01	14.12	30.48	19mm
01-10L04J	M16 x 1.5	7/16	8.00	4.37	11.00	13.97	31.75	17mm
01-10L06J	M16 x 1.5	9/16	7.54	7.54	12.70	14.12	34.80	22mm
01-10L08J	M16 x 1.5	3/4	8.00	9.93	11.00	16.69	35.31	22mm
01-12L06J	M18 x 1.5	9/16	10.01	7.54	11.00	14.12	32.77	22mm
01-12L08J	M18 x 1.5	3/4	9.93	9.93	11.00	16.69	35.56	22mm
01-15L08J	M22 x 1.5	3/4	11.99	9.93	11.99	16.69	36.58	27mm
01-15L10J	M22 x 1.5	7/8	11.99	12.29	11.99	19.25	39.37	27mm
01-15L12J	M22 x 1.5	1-1/16	11.99	15.47	11.99	21.95	43.94	1.125
01-18L12J	M26 x 1.5	1-1/16	15.47	15.47	11.99	21.95	43.94	30mm
01-35L16J	M45 x 2	1-5/16	0.00	0.00	0.00	0.00	0.00	0
01-22LX212J	M30 x 2	1-1/16	15.47	15.47	14.00	21.95	46.23	32mm
01-22LX216J	M30 x 2	1-5/16	19.00	21.44	14.00	23.14	47.50	1.375
01-28LX212J	M36 x 2	1-1/16	15.47	15.47	14.00	21.95	46.86	41mm
01-28LX216J	M36 x 2	1-5/16	21.44	21.44	14.00	23.14	47.75	41mm
01-35LX216J	M45 x 2	1-5/16	30.00	21.44	16.00	23.14	51.82	50mm
01-35LX220J	M45 x 2	1-5/8	27.38	27.38	16.00	24.33	53.09	50mm
01-42LX224J	M52 x 2	1-7/8	33.32	33.32	16.00	27.51	56.01	55mm