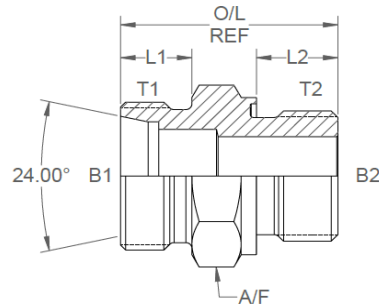


All dimensions are imperial unless stated.

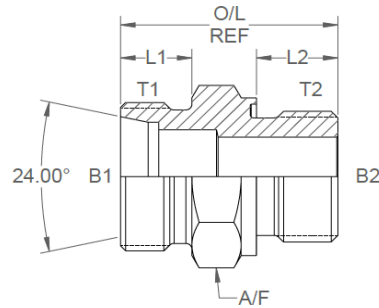


	T1	T2	B1	B2	L1	L2	O/L	A/F
01-06LM10CS	M12 x 1.5	M10 x 1	0.157	0.157	0.394	0.315	0.925	14mm
01-06LM12CS	M12 x 1.5	M12 x 1.5	0.157	0.157	0.394	0.472	1.141	17mm
01-08LM12CS	M14 x 1.5	M12 x 1.5	0.236	0.236	0.394	0.472	1.141	17mm
01-08LM14CS	M14 x 1.5	M14 x 1.5	0.236	0.236	0.394	0.472	1.141	19mm
01-08LM16CS	M14 x 1.5	M16 x 1.5	0.236	0.236	0.394	0.472	1.181	22mm
01-08LM18CS	M14 x 1.5	M18 x 1.5	0.236	0.236	0.394	0.472	1.181	24mm
01-08LM22CS	M14 x 1.5	M22 x 1.5	0	0	0	0	0	0
01-10LM14CS	M16 x 1.5	M14 x 1.5	0.275	0.275	0.433	0.472	1.181	19mm
01-10LM16CS	M16 x 1.5	M16 x 1.5	0.315	0.315	0.433	0.472	1.24	22mm
01-10LM18CS	M16 x 1.5	M18 x 1.5	0.315	0.315	0.433	0.472	1.24	24mm
01-10LM22CS	M16 x 1.5	M22 x 1.5	0.315	0.472	0.433	0.551	1.402	27mm
01-12LM14CS	M18 x 1.5	M14 x 1.5	0.394	0.275	0.433	0.472	1.181	19mm
01-12LM16CS	M18 x 1.5	M16 x 1.5	0.354	0.354	0.433	0.472	1.24	22mm
01-12LM18CS	M18 x 1.5	M18 x 1.5	0.315	0.315	0.433	0.472	1.303	24mm
01-12LM22CS	M18 x 1.5	M22 x 1.5	0.394	0.394	0.433	0.551	1.37	27mm
01-15LM16CS	M22 x 1.5	M16 x 1.5	0	0	0	0	0	0
01-15LM18CS	M22 x 1.5	M18 x 1.5	0.433	0.433	0.472	0.472	1.28	24mm
01-15LM22CS	M22 x 1.5	M22 x 1.5	0.472	0.472	0.472	0.551	1.417	27mm

Add -CWNR to part number for complete with nuts and rings, i.e. 01-06LM10CS-CWNR.

DESIGN DETAILS AND SPECIFICATIONS SUBJECT TO CHANGE WITHOUT PRIOR NOTICE - Whilst every effort has been made to ensure the accuracy of the information supplied herein, Burnett & Hillman cannot be held responsible for any errors or omissions (E&OE)

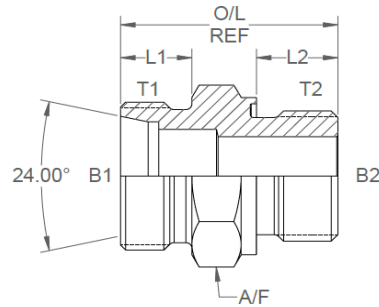
All dimensions are imperial unless stated.



	T1	T2	B1	B2	L1	L2	O/L	A/F
01-18LM18CS	M26 x 1.5	M18 x 1.5	0.591	0.433	0.472	0.472	1.37	27mm
01-18LM22CS	M26 x 1.5	M22 x 1.5	0.551	0.551	0.472	0.551	1.417	27mm
01-22LM22CS	M30 x 2	M22 x 1.5	0.709	0.551	0.551	0.551	1.5	32mm
01-22LM26CS	M30 x 2	M26 x 1.5	0.709	0.709	0.551	0.63	1.574	32mm
01-28LM33CS	M36 x 2	M33 x 2	0.905	0.905	0.551	0.708	1.692	41mm
01-35LM42CS	M45 x 2	M42 x 2	1.181	1.181	0.63	0.787	1.889	50mm
01-42LM48CS	M52 x 2	M48 x 2	1.417	1.417	0.63	0.866	2.047	55mm

Add -CWNR to part number for complete with nuts and rings, i.e. 01-06LM10CS-CWNR.

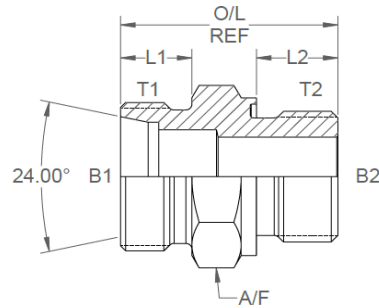
DESIGN DETAILS AND SPECIFICATIONS SUBJECT TO CHANGE WITHOUT PRIOR NOTICE - Whilst every effort has been made to ensure the accuracy of the information supplied herein, Burnett & Hillman cannot be held responsible for any errors or omissions (E&OE)



	T1	T2	B1	B2	L1	L2	O/L	A/F
01-06LM10CS	M12 x 1.5	M10 x 1	3.99	3.99	10.01	8.00	23.50	14mm
01-06LM12CS	M12 x 1.5	M12 x 1.5	3.99	3.99	10.01	11.99	28.98	17mm
01-08LM12CS	M14 x 1.5	M12 x 1.5	5.99	5.99	10.01	11.99	28.98	17mm
01-08LM14CS	M14 x 1.5	M14 x 1.5	5.99	5.99	10.01	11.99	28.98	19mm
01-08LM16CS	M14 x 1.5	M16 x 1.5	5.99	5.99	10.01	11.99	30.00	22mm
01-08LM18CS	M14 x 1.5	M18 x 1.5	5.99	5.99	10.01	11.99	30.00	24mm
01-08LM22CS	M14 x 1.5	M22 x 1.5	0.00	0.00	0.00	0.00	0.00	0
01-10LM14CS	M16 x 1.5	M14 x 1.5	6.99	6.99	11.00	11.99	30.00	19mm
01-10LM16CS	M16 x 1.5	M16 x 1.5	8.00	8.00	11.00	11.99	31.50	22mm
01-10LM18CS	M16 x 1.5	M18 x 1.5	8.00	8.00	11.00	11.99	31.50	24mm
01-10LM22CS	M16 x 1.5	M22 x 1.5	8.00	11.99	11.00	14.00	35.61	27mm
01-12LM14CS	M18 x 1.5	M14 x 1.5	10.01	6.99	11.00	11.99	30.00	19mm
01-12LM16CS	M18 x 1.5	M16 x 1.5	8.99	8.99	11.00	11.99	31.50	22mm
01-12LM18CS	M18 x 1.5	M18 x 1.5	8.00	8.00	11.00	11.99	33.10	24mm
01-12LM22CS	M18 x 1.5	M22 x 1.5	10.01	10.01	11.00	14.00	34.80	27mm
01-15LM16CS	M22 x 1.5	M16 x 1.5	0.00	0.00	0.00	0.00	0.00	0
01-15LM18CS	M22 x 1.5	M18 x 1.5	11.00	11.00	11.99	11.99	32.51	24mm
01-15LM22CS	M22 x 1.5	M22 x 1.5	11.99	11.99	11.99	14.00	35.99	27mm

Add -CWNR to part number for complete with nuts and rings, i.e. 01-06LM10CS-CWNR.

DESIGN DETAILS AND SPECIFICATIONS SUBJECT TO CHANGE WITHOUT PRIOR NOTICE - Whilst every effort has been made to ensure the accuracy of the information supplied herein, Burnett & Hillman cannot be held responsible for any errors or omissions (E&OE)



	T1	T2	B1	B2	L1	L2	O/L	A/F
01-18LM18CS	M26 x 1.5	M18 x 1.5	15.01	11.00	11.99	11.99	34.80	27mm
01-18LM22CS	M26 x 1.5	M22 x 1.5	14.00	14.00	11.99	14.00	35.99	27mm
01-22LM22CS	M30 x 2	M22 x 1.5	18.01	14.00	14.00	14.00	38.10	32mm
01-22LM26CS	M30 x 2	M26 x 1.5	18.01	18.01	14.00	16.00	39.98	32mm
01-28LM33CS	M36 x 2	M33 x 2	22.99	22.99	14.00	17.98	42.98	41mm
01-35LM42CS	M45 x 2	M42 x 2	30.00	30.00	16.00	19.99	47.98	50mm
01-42LM48CS	M52 x 2	M48 x 2	35.99	35.99	16.00	22.00	51.99	55mm

Add -CWNR to part number for complete with nuts and rings, i.e. 01-06LM10CS-CWNR.

DESIGN DETAILS AND SPECIFICATIONS SUBJECT TO CHANGE WITHOUT PRIOR NOTICE - Whilst every effort has been made to ensure the accuracy of the information supplied herein, Burnett & Hillman cannot be held responsible for any errors or omissions (E&OE)