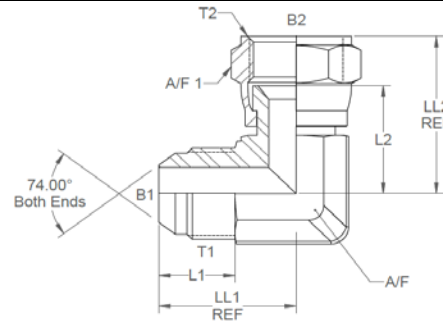


All dimensions are imperial unless stated.

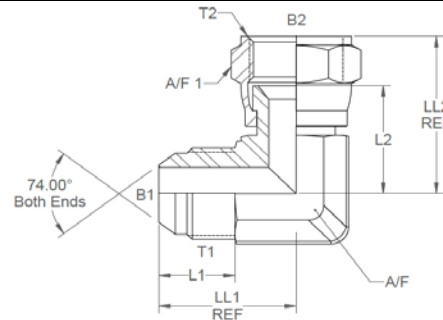


	T1	T2	B1	B2	L1	L2	LL1	LL2	A/F	A/F1
05050FD	7/16	7/16	0.172	0.172	0.535	0.657	0.89	1	0.438	0.562
05051FD	1/2	1/2	0.234	0.234	0.535	0.685	0.685	1.06	0.562	0.625
05052FD	9/16	9/16	0.297	0.297	0.541	0.878	1.06	1.25	0.562	0.687
05053FD	3/4	3/4	0.391	0.391	0.642	0.96	1.25	1.38	0.75	0.875
05054FD	7/8	7/8	0.484	0.484	0.743	1.118	1.45	1.62	0.875	1
05055FD	1-1/16	1-1/16	0.609	0.609	0.849	1.185	1.66	1.75	1.062	1.25
05057FD	1-3/16	1-3/16	0.719	0.719	0.875	1.23	1.8	1.78	1.312	1.375
05056FD	1-5/16	1-5/16	0.844	0.844	0.896	1.405	1.81	2	1.312	1.5
05058FD	1-5/8	1-5/8	1.078	1.078	0.943	1.685	2.06	2.31	1.625	2
05059FD	1-7/8	1-7/8	0	0	0	0	0	0	0	0

JIC male x JIC swivel female 90° forged compact elbow

Nov-21
1007 METRIC

A/F dimensions are imperial unless stated.



	T1	T2	B1	B2	L1	L2	LL1	LL2	A/F	A/F1
05050FD	7/16	7/16	4.37	4.37	13.59	16.69	22.61	25.4	0.438	0.562
05051FD	1/2	1/2	5.94	5.94	13.59	17.4	17.4	26.92	0.562	0.625
05052FD	9/16	9/16	7.54	7.54	13.74	22.3	26.92	31.75	0.562	0.687
05053FD	3/4	3/4	9.93	9.93	16.31	24.38	31.75	35.05	0.75	0.875
05054FD	7/8	7/8	12.29	12.29	18.87	28.4	36.83	41.15	0.875	1
05055FD	1-1/16	1-1/16	15.47	15.47	21.56	30.1	42.16	44.45	1.062	1.25
05057FD	1-3/16	1-3/16	18.26	18.26	22.23	31.24	45.72	45.21	1.312	1.375
05056FD	1-5/16	1-5/16	21.44	21.44	22.76	35.69	45.97	50.8	1.312	1.5
05058FD	1-5/8	1-5/8	27.38	27.38	23.95	42.8	52.32	58.67	1.625	2
05059FD	1-7/8	1-7/8	0	0	0	0	0	0	0	0