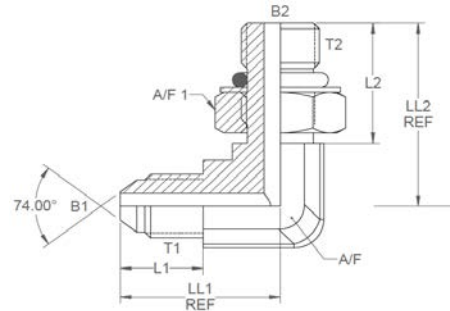


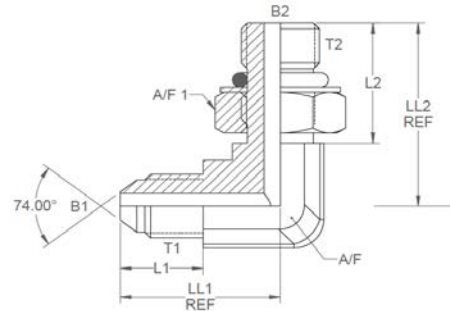
All dimensions are imperial unless stated.



	T1	T2	B1	B2	L1	L2	LL1	LL2	A/F	A/F1
03085FDPOS	7/16	7/16	0.172	0.172	0.535	0.73	0.89	1.03	0.438	0.562
03085-06FDPOS	7/16	9/16	0.172	0.297	0.535	0.75	0.89	1.25	0.562	0.687
03086FDPOS	1/2	1/2	0.234	0.234	0.535	0.73	0.95	1.13	0.562	0.625
03087-04FDPOS	9/16	7/16	0.297	0.172	0.541	0.73	1.06	1.23	0.562	0.562
03087FDPOS	9/16	9/16	0.297	0.297	0.541	0.75	1.06	1.25	0.562	0.687
03087-08FDPOS	9/16	3/4	0.297	0.391	0.541	0.86	1.06	1.45	0.75	0.875
03095FDPOS	3/4	9/16	0.391	0.297	0.642	0.75	1.25	1.34	0.75	0.687
03088FDPOS	3/4	3/4	0.391	0.391	0.642	0.86	1.25	1.45	0.75	0.875
03098FDPOS	3/4	1-1/16	0.391	0.609	0.642	1.14	1.25	1.94	1.062	1.25
03089-06FDPOS	7/8	9/16	0.484	0.297	0.743	0.75	1.45	1.43	0.875	0.687
03096FDPOS	7/8	3/4	0.484	0.391	0.743	0.86	1.45	1.57	0.875	0.875
03089FDPOS	7/8	7/8	0.484	0.484	0.743	1	1.45	1.7	0.875	1
03090FDPOS	1-1/16	1-1/16	0.609	0.609	0.849	1.14	1.66	1.94	1.062	1.25
03090-16FDPOS	1-1/16	1-5/16	0	0	0	0	0	0	0	0
03092FDPOS	1-5/16	1-5/16	0.844	0.844	0.896	1.14	1.81	2.05	1.312	1.5
03094FDPOS	1-5/8	1-5/8	1.078	1.078	0.943	1.14	2.06	2.25	1.625	1.875
03093FDPOS	1-7/8	1-7/8	1.312	1.312	1.068	1.14	2.33	2.39	1.875	2.125

DESIGN DETAILS AND SPECIFICATIONS SUBJECT TO CHANGE WITHOUT PRIOR NOTICE - Whilst every effort has been made to ensure the accuracy of the information supplied herein, Burnett & Hillman cannot be held responsible for any errors or omissions (E&OE)

A/F dimensions are imperial unless stated.



	T1	T2	B1	B2	L1	L2	LL1	LL2	A/F	A/F1
03085FDPOS	7/16	7/16	4.37	4.37	13.59	18.54	22.61	26.16	0.438	0.562
03085-06FDPOS	7/16	9/16	4.37	7.54	13.59	19.05	22.61	31.75	0.562	0.687
03086FDPOS	1/2	1/2	5.94	5.94	13.59	18.54	24.13	28.7	0.562	0.625
03087-04FDPOS	9/16	7/16	7.54	4.37	13.74	18.54	26.92	31.24	0.562	0.562
03087FDPOS	9/16	9/16	7.54	7.54	13.74	19.05	26.92	31.75	0.562	0.687
03087-08FDPOS	9/16	3/4	7.54	9.93	13.74	21.84	26.92	36.83	0.75	0.875
03095FDPOS	3/4	9/16	9.93	7.54	16.31	19.05	31.75	34.04	0.75	0.687
03088FDPOS	3/4	3/4	9.93	9.93	16.31	21.84	31.75	36.83	0.75	0.875
03098FDPOS	3/4	1-1/16	9.93	15.47	16.31	28.96	31.75	49.28	1.062	1.25
03089-06FDPOS	7/8	9/16	12.29	7.54	18.87	19.05	36.83	36.32	0.875	0.687
03096FDPOS	7/8	3/4	12.29	9.93	18.87	21.84	36.83	39.88	0.875	0.875
03089FDPOS	7/8	7/8	12.29	12.29	18.87	25.4	36.83	43.18	0.875	1
03090FDPOS	1-1/16	1-1/16	15.47	15.47	21.56	28.96	42.16	49.28	1.062	1.25
03090-16FDPOS	1-1/16	1-5/16	0	0	0	0	0	0	0	0
03092FDPOS	1-5/16	1-5/16	21.44	21.44	22.76	28.96	45.97	52.07	1.312	1.5
03094FDPOS	1-5/8	1-5/8	27.38	27.38	23.95	28.96	52.32	57.15	1.625	1.875
03093FDPOS	1-7/8	1-7/8	33.32	33.32	27.13	28.96	59.18	60.71	1.875	2.125