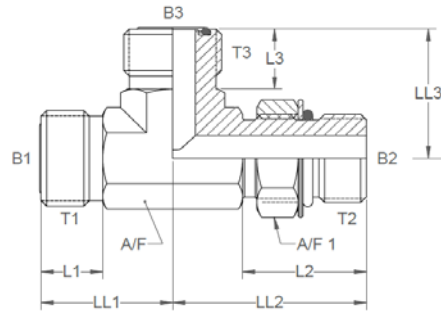
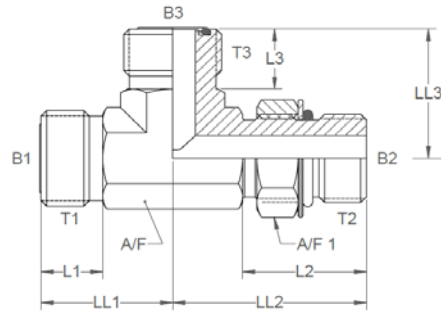


All dimensions are imperial unless stated.



	T1	T2	T3	B1	B2	B3	L1	L2	L3	LL1	LL2	LL3	A/F	A/F1
9716-04-04-04	9/16	7/16	9/16	0.172	0.172	0.172	0.35	0.81	0.35	0.85	1.29	0.85	0.562	0.625
9716-06-06-06	11/16	9/16	11/16	0.264	0.295	0.264	0.41	0.88	0.41	0.98	1.45	0.98	0.750	0.75
9716-08-08-08	13/16	3/4	13/16	0.378	0.39	0.378	0.47	1.03	0.47	1.1	1.6	1.1	0.750	0.938
9716-10-10-10	1	7/8	1	0.484	0.484	0.484	0.55	1.19	0.55	1.31	1.97	1.31	1.062	1.062
9716-12-12-12	1-3/16	1-1/16	1-3/16	0.609	0.609	0.609	0.59	1.33	0.59	1.47	2.17	1.47	1.188	1.375
9716-16-16-16	1-7/16	1-5/16	1-7/16	0.811	0.811	0.811	0.61	1.36	0.61	1.64	2.35	1.64	1.438	1.625
9716-20-20-20	1-11/16	1-5/8	1-11/16	1.024	1.024	1.024	0.61	1.36	0.61	1.76	2.45	1.76	1.625	1.875
9716-24-24-24	2	1-7/8	2	1.26	1.26	1.26	0.61	1.36	0.61	1.92	2.59	1.92	1.875	2.125

A/F dimensions are imperial unless stated.



	T1	T2	T3	B1	B2	B3	L1	L2	L3	LL1	LL2	LL3	A/F	A/F1
9716-04-04-04	9/16	7/16	9/16	4.37	4.37	4.37	8.89	20.57	8.89	21.59	32.77	21.59	0.562	0.625
9716-06-06-06	11/16	9/16	11/16	6.71	7.49	6.71	10.41	22.35	10.41	24.89	36.83	24.89	0.750	0.75
9716-08-08-08	13/16	3/4	13/16	9.6	9.91	9.6	11.94	26.16	11.94	27.94	40.64	27.94	0.750	0.938
9716-10-10-10	1	7/8	1	12.29	12.29	12.29	13.97	30.23	13.97	33.27	50.04	33.27	1.062	1.062
9716-12-12-12	1-3/16	1-1/16	1-3/16	15.47	15.47	15.47	14.99	33.78	14.99	37.34	55.12	37.34	1.188	1.375
9716-16-16-16	1-7/16	1-5/16	1-7/16	20.6	20.6	20.6	15.49	34.54	15.49	41.66	59.69	41.66	1.438	1.625
9716-20-20-20	1-11/16	1-5/8	1-11/16	26.01	26.01	26.01	15.49	34.54	15.49	44.7	62.23	44.7	1.625	1.875
9716-24-24-24	2	1-7/8	2	32	32	32	15.49	34.54	15.49	48.77	65.79	48.77	1.875	2.125