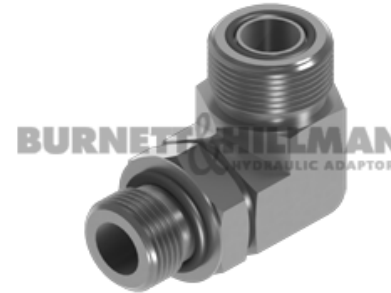
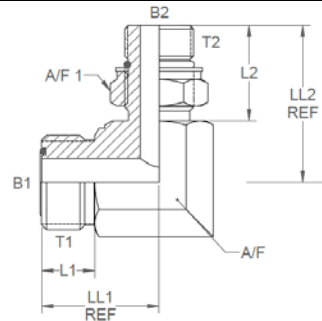
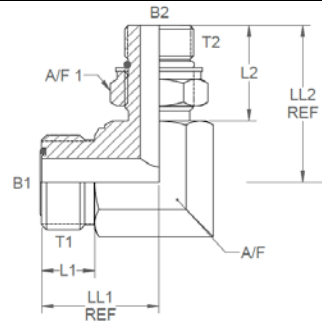


All dimensions are imperial unless stated.



	T1	T2	B1	B2	L1	L2	LL1	LL2	A/F	A/F1
9515-04-04B	9/16	1/4	0.172	0.296	0.35	0.787	0.85	1.378	0.750	19mm
9515-06-06B	11/16	3/8	0.264	0.389	0.41	0.787	0.98	1.417	0.750	22mm
9515-08-06B	13/16	3/8	0.378	0.389	0.47	0.787	1.1	1.417	0.750	22mm
9515-08-08B	13/16	1/2	0.378	0.484	0.47	1.027	1.1	1.692	0.875	27mm
9515-10-08B	1	1/2	0.484	0.484	0.55	1.027	1.31	1.692	1.062	27mm
9515-10-10B	1	5/8	0.484	0.484	0.55	1.027	1.31	1.73	1.062	30mm
9515-12-08B	1-3/16	1/2	0.609	0.484	0.59	1.027	1.47	1.692	1.188	27mm
9515-12-12B	1-3/16	3/4	0.609	0.609	0.59	1.027	1.47	1.85	1.188	32mm
9515-16-16B	1-7/16	1	0.811	0.846	0.61	1.181	1.64	2.125	1.5	41mm

A/F dimensions are imperial unless stated.



	T1	T2	B1	B2	L1	L2	LL1	LL2	A/F	A/F1
9515-04-04B	9/16	1/4	4.37	7.52	8.89	19.99	21.59	35	0.750	19mm
9515-06-06B	11/16	3/8	6.71	9.88	10.41	19.99	24.89	35.99	0.750	22mm
9515-08-06B	13/16	3/8	9.6	9.88	11.94	19.99	27.94	35.99	0.750	22mm
9515-08-08B	13/16	1/2	9.6	12.29	11.94	26.09	27.94	42.98	0.875	27mm
9515-10-08B	1	1/2	12.29	12.29	13.97	26.09	33.27	42.98	1.062	27mm
9515-10-10B	1	5/8	12.29	12.29	13.97	26.09	33.27	43.94	1.062	30mm
9515-12-08B	1-3/16	1/2	15.47	12.29	14.99	26.09	37.34	42.98	1.188	27mm
9515-12-12B	1-3/16	3/4	15.47	15.47	14.99	26.09	37.34	46.99	1.188	32mm
9515-16-16B	1-7/16	1	20.6	21.49	15.49	30	41.66	53.98	1.5	41mm