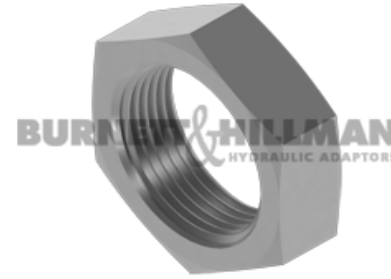
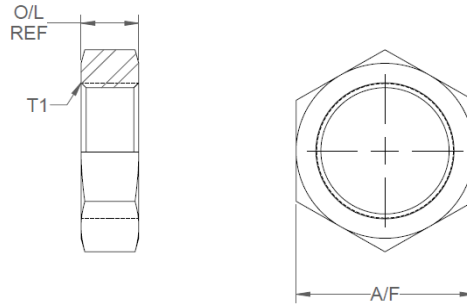
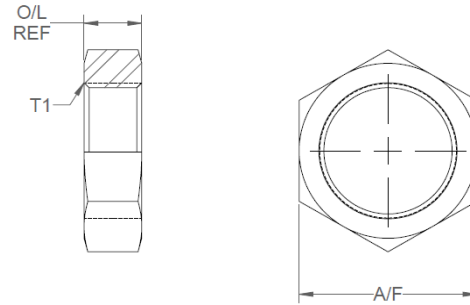


All dimensions are imperial unless stated.



	T1	O/L	A/F
9925-04	9/16	0.27	0.812
9925-06	11/16	0.31	1
9925-08	13/16	0.35	1.125
9925-10	1	0.41	1.312
9925-12	1-3/16	0.41	1.5
9925-16	1-7/16	0.41	1.75
9925-20	1-11/16	0.41	50mm
9925-24	2	0.41	60mm

A/F dimensions are imperial unless stated.



	T1	O/L	A/F
9925-04	9/16	0.27	0.812
9925-06	11/16	0.31	1
9925-08	13/16	0.35	1.125
9925-10	1	0.41	1.312
9925-12	1-3/16	0.41	1.5
9925-16	1-7/16	0.41	1.75
9925-20	1-11/16	0.41	50mm
9925-24	2	0.41	60mm