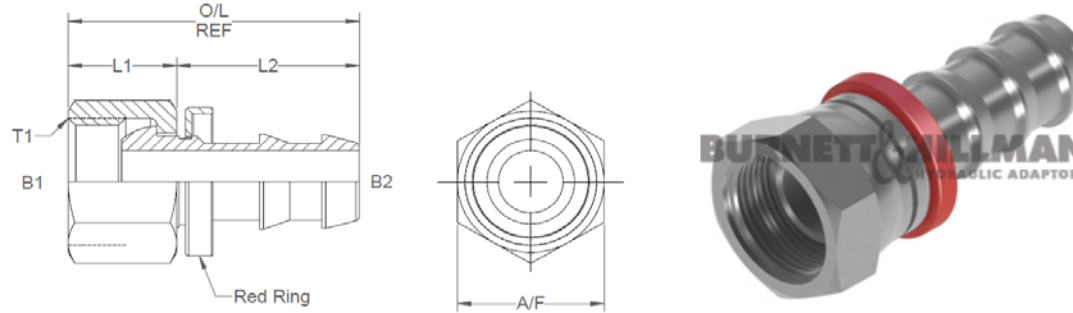
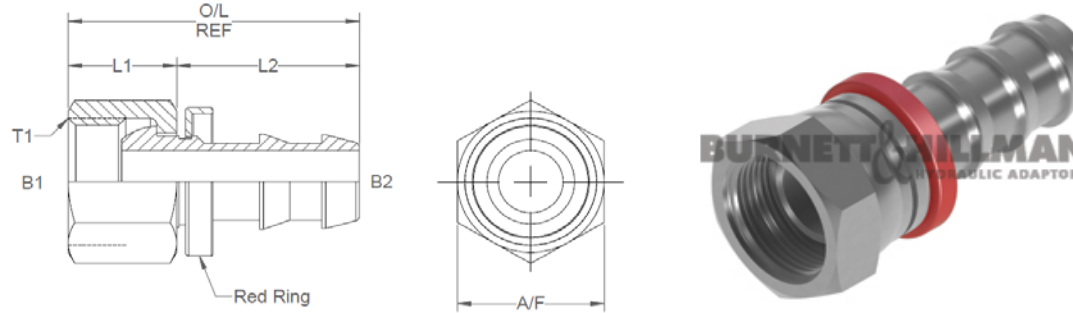


All dimensions are imperial unless stated.



	T1	T2	B1	B2	L1	L2	O/L	A/F
09240	1/4	1/4 PI	0.156	0.156	0.45	0.86	1.3	0.625
09246	1/4	3/8 PI	0.296	0.296	0.615	1.04	1.74	19mm
09241	3/8	3/8 PI	0.296	0.296	0.57	1.09	1.66	22mm
09242-06	1/2	3/8 PI	0.406	0.296	0.68	1.147	1.827	24mm
09242	1/2	1/2 PI	0.406	0.406	0.68	1.145	1.825	24mm
09243	5/8	5/8 PI	0.464	0.464	0.912	1.655	2.662	30mm
09244	3/4	3/4 PI	0.609	0.609	0.89	1.75	2.72	32mm
09245	1	1 PI	0.75	0.75	1.01	1.805	2.915	41mm

A/F dimensions are imperial unless stated.



	T1	T2	B1	B2	L1	L2	O/L	A/F
09240	1/4	1/4 PI	3.96	3.96	11.43	21.84	33.02	0.625
09246	1/4	3/8 PI	7.52	7.52	15.62	26.42	44.2	19mm
09241	3/8	3/8 PI	7.52	7.52	14.48	27.69	42.16	22mm
09242-06	1/2	3/8 PI	10.31	7.52	17.27	29.13	46.41	24mm
09242	1/2	1/2 PI	10.31	10.31	17.27	29.08	46.36	24mm
09243	5/8	5/8 PI	11.79	11.79	23.16	42.04	67.61	30mm
09244	3/4	3/4 PI	15.47	15.47	22.61	44.45	69.09	32mm
09245	1	1 PI	19.05	19.05	25.65	45.85	74.04	41mm