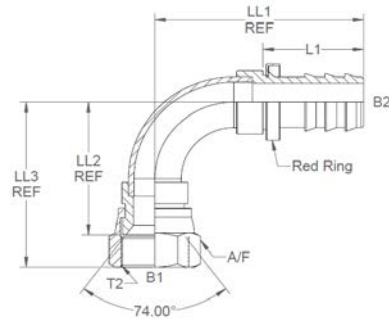
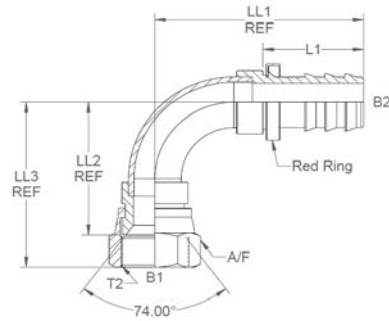


All dimensions are imperial unless stated.



	T1	T2	B1	B2	L1	LL1	LL2	LL3	A/F
09301	7/16	1/4 PI	0.176	0.176	0.89	1.67	1.086	1.437	0.562
09302	9/16	3/8 PI	0.296	0.296	1.027	2.008	1.322	1.713	0.687
09303	3/4	1/2 PI	0.39	0.39	1.21	2.39	1.663	2.103	0.875
09300	7/8	5/8 PI	0.5	0.484	1.655	3.077	1.895	2.4	1
09304	1-1/16	3/4 PI	0.593	0.6	1.75	3.365	2.127	2.7	1.25
09305	1-5/16	1 PI	0.812	0.75	1.81	3.96	2.611	3.291	1.5

A/F dimensions are imperial unless stated.



	T1	T2	B1	B2	L1	LL1	LL2	LL3	A/F
09301	7/16	1/4 PI	4.47	4.47	22.61	42.42	27.58	36.5	0.562
09302	9/16	3/8 PI	7.52	7.52	26.09	51	33.58	43.51	0.687
09303	3/4	1/2 PI	9.91	9.91	30.73	60.71	42.24	53.42	0.875
09300	7/8	5/8 PI	12.7	12.29	42.04	78.16	48.13	60.96	1
09304	1-1/16	3/4 PI	15.06	15.24	44.45	85.47	54.03	68.58	1.25
09305	1-5/16	1 PI	20.62	19.05	45.97	100.58	66.32	83.59	1.5