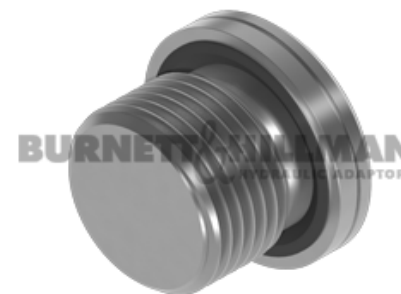
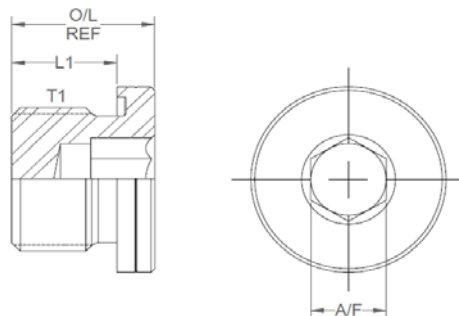


**METRIC Socket Headed Plug 1.5mm
pitch WITH 3869 SEAL**

Oct-21
0725 IMP

All dimensions are imperial unless stated.



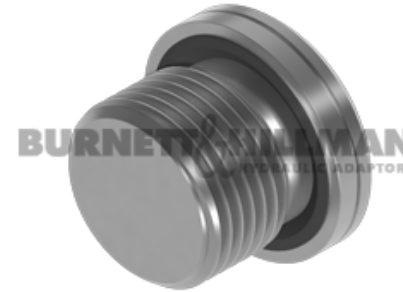
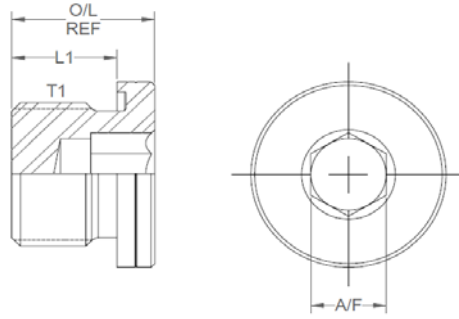
	T1	L1	O/L	A/F
3869-M10-SPG	M10 x 1	0.315	0.472	5mm
3869-M12-SPG	M12 x 1.5	0.472	0.63	6mm
3869-M14-SPG	M14 x 1.5	0.472	0.669	6mm
3869-M16-SPG	M16 x 1.5	0.472	0.669	8mm
3869-M18-SPG	M18 x 1.5	0.472	0.669	8mm
3869-M22-SPG	M22 x 1.5	0.551	0.748	10mm
3869-M26-SPG	M26 x 1.5	0.63	0.85	12mm
3869-M27-SPG	M27 x 2	0.63	0.827	12mm

DESIGN DETAILS AND SPECIFICATIONS SUBJECT TO CHANGE WITHOUT PRIOR NOTICE - Whilst every effort has been made to ensure the accuracy of the information supplied herein, Burnett & Hillman cannot be held responsible for any errors or omissions (E&OE)

**METRIC Socket Headed Plug 1.5mm
pitch WITH 3869 SEAL**

Oct-21
0725 METRIC

A/F dimensions are imperial unless stated.



	T1	L1	O/L	A/F
3869-M10-SPG	M10 x 1	8	11.99	5mm
3869-M12-SPG	M12 x 1.5	11.99	16	6mm
3869-M14-SPG	M14 x 1.5	11.99	16.99	6mm
3869-M16-SPG	M16 x 1.5	11.99	16.99	8mm
3869-M18-SPG	M18 x 1.5	11.99	16.99	8mm
3869-M22-SPG	M22 x 1.5	14	19	10mm
3869-M26-SPG	M26 x 1.5	16	21.59	12mm
3869-M27-SPG	M27 x 2	16	21.01	12mm

DESIGN DETAILS AND SPECIFICATIONS SUBJECT TO CHANGE WITHOUT PRIOR NOTICE - Whilst every effort has been made to ensure the accuracy of the information supplied herein, Burnett & Hillman cannot be held responsible for any errors or omissions (E&OE)