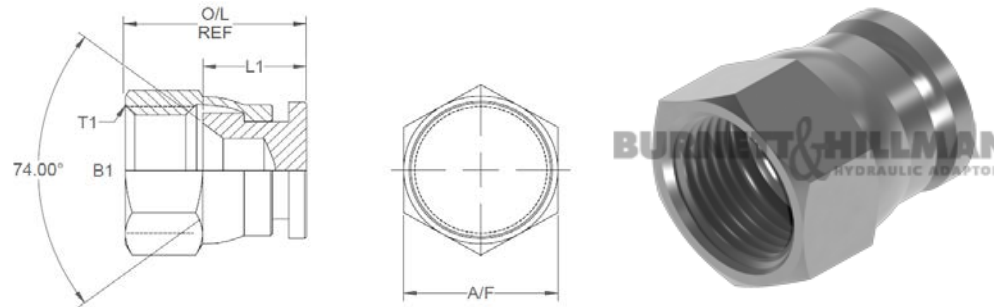
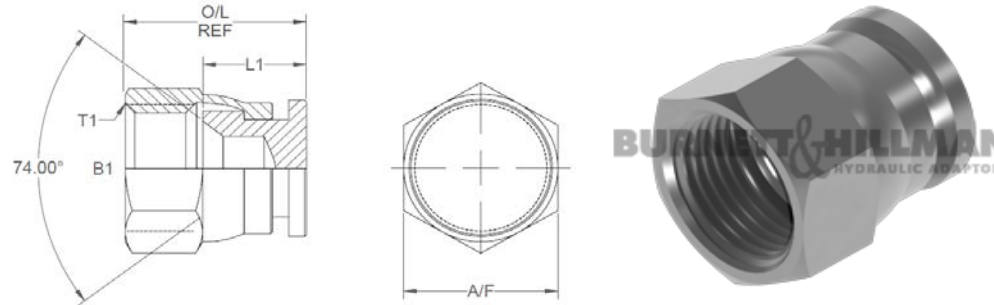


All dimensions are imperial unless stated.



	T1	L1	O/L	A/F
09199	3/8	0.423	0.76	0.5
09200	7/16	0.423	0.78	0.562
09201	1/2	0.429	0.815	0.625
09202	9/16	0.469	0.85	0.687
09203	3/4	0.588	1.035	0.875
09204	7/8	0.635	1.14	1
09205	1-1/16	0.677	1.26	1.25
09209	1-3/16	0.677	1.275	1.375
09206	1-5/16	0.735	1.333	1.5
09207	1-5/8	0.766	1.43	50mm
09208	1-7/8	0.875	1.56	55mm
09210	2-1/2	0.955	1.875	70mm

A/F dimensions are imperial unless stated.



	T1	L1	O/L	A/F
09199	3/8	10.74	19.3	0.5
09200	7/16	10.74	19.81	0.562
09201	1/2	10.9	20.7	0.625
09202	9/16	11.91	21.59	0.687
09203	3/4	14.94	26.29	0.875
09204	7/8	16.13	28.96	1
09205	1-1/16	17.2	32	1.25
09209	1-3/16	17.2	32.39	1.375
09206	1-5/16	18.67	33.86	1.5
09207	1-5/8	19.46	36.32	50mm
09208	1-7/8	22.23	39.62	55mm
09210	2-1/2	24.26	47.63	70mm