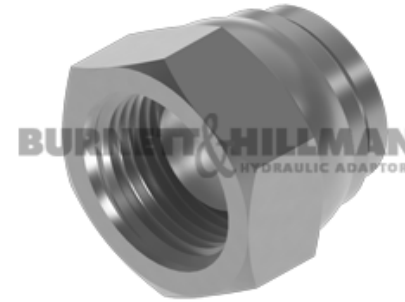
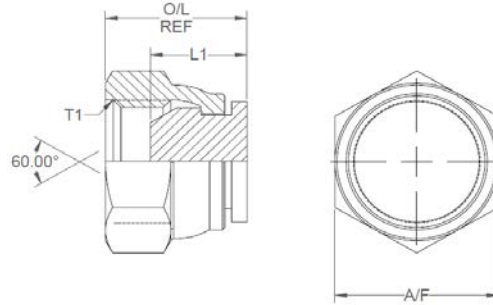
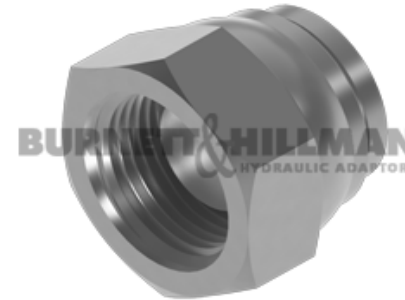
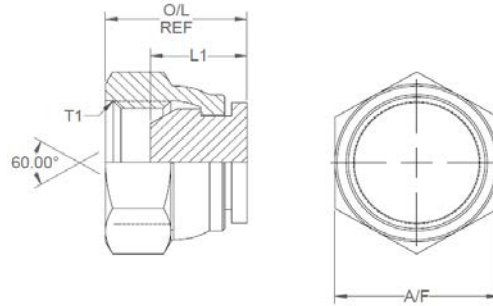


All dimensions are imperial unless stated.



	T1	L1	O/L	A/F
09180	1/8	0.45	0.645	14mm
09181	1/4	0.51	0.725	19mm
09182	3/8	0.612	0.86	22mm
09183	1/2	0.628	0.93	27mm
09184	5/8	0.6	1.015	30mm
09185	3/4	0.625	1.015	32mm
09186	1	0.673	1.13	41mm
09187	1-1/4	0.76	1.195	50mm
09188	1-1/2	0.9	1.402	55mm
09189	2	1.012	1.66	70mm

A/F dimensions are imperial unless stated.



	T1	L1	O/L	A/F
09180	1/8	11.43	16.38	14mm
09181	1/4	12.95	18.42	19mm
09182	3/8	15.54	21.84	22mm
09183	1/2	15.95	23.62	27mm
09184	5/8	15.24	25.78	30mm
09185	3/4	15.88	25.78	32mm
09186	1	17.09	28.7	41mm
09187	1-1/4	19.3	30.35	50mm
09188	1-1/2	22.86	35.61	55mm
09189	2	25.7	42.16	70mm