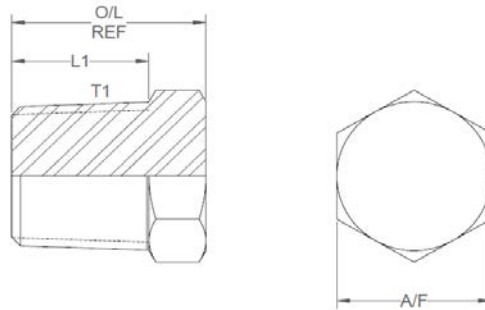
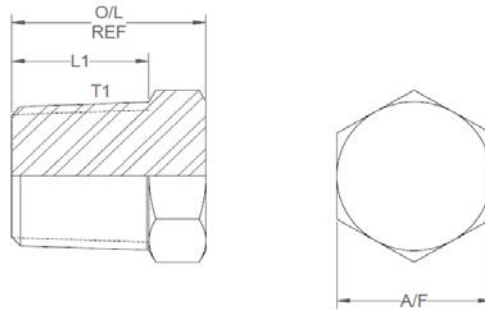


All dimensions are imperial unless stated.



	T1	L1	O/L	A/F
09075	1/8	0.41	0.63	0.437
09076	1/4	0.58	0.88	14mm
09077	3/8	0.59	0.91	0.687
09078	1/2	0.76	1.08	22mm
09079	5/8	0.77	1.12	24mm
09080	3/4	0.77	1.12	27mm
09081	1	0.99	1.39	1.375
09082	1-1/4	1	1.5	1.75
09083	1-1/2	1.17	1.74	50mm
09084	2	1.18	1.83	65mm
09085	2-1/2	1.55	2.2	3.25
09086	3	1.562	2.262	90mm

A/F dimensions are imperial unless stated.



	T1	L1	O/L	A/F
09075	1/8	10.41	16	0.437
09076	1/4	14.73	22.35	14mm
09077	3/8	14.99	23.11	0.687
09078	1/2	19.3	27.43	22mm
09079	5/8	19.56	28.45	24mm
09080	3/4	19.56	28.45	27mm
09081	1	25.15	35.31	1.375
09082	1-1/4	25.4	38.1	1.75
09083	1-1/2	29.72	44.2	50mm
09084	2	29.97	46.48	65mm
09085	2-1/2	39.37	55.88	3.25
09086	3	39.67	57.45	90mm