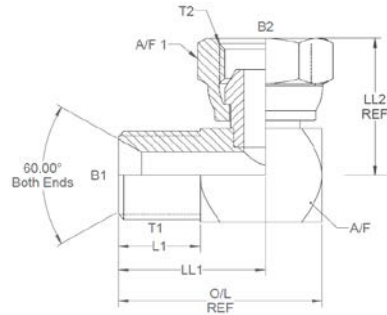


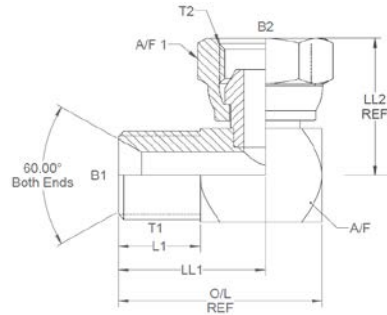
All dimensions are imperial unless stated.



	T1	T2	B1	B2	L1	O/L	LL1	LL2	A/F	A/F1
05013	1/4	1/8	0.185	0.125	0.565	1.335	0.993	0.88	0.625	14mm
05000	1/4	1/4	0.185	0.172	0.565	1.335	0.993	0.975	0.625	19mm
05006	1/4	3/8	0	0	0	0	0	0	0	0
05014	3/8	1/4	0.375	0.172	0.6	1.52	1.085	1.04	0.75	19mm
05001	3/8	3/8	0.312	0.271	0.6	1.52	1.085	1.158	0.75	22mm
05011	3/8	1/2	0	0	0	0	0	0	0	0
05019	3/8	3/4	0	0	0	0	0	0	0	0
05015	1/2	3/8	0.437	0.271	0.74	1.84	1.329	1.21	0.875	22mm
05002	1/2	1/2	0.437	0.375	0.74	1.84	1.329	1.283	0.875	27mm
05012	1/2	3/4	0	0	0	0	0	0	0	0
05017	1/2	1	0	0	0	0	0	0	0	0
05004	3/4	3/4	0.625	0.6	0.82	2.06	1.44	1.468	1.125	32mm
05010	3/4	1	0	0	0	0	0	0	0	0
05009	1	3/4	0.812	0.6	1.05	2.475	1.855	1.603	1.375	32mm
05005	1	1	0.812	0.797	1.05	2.475	1.762	1.724	1.375	41mm
05007	1-1/2	1-1/2	1.312	1.201	1.4	3.45	2.425	2.352	2	55mm
05008	2	2	1.75	1.75	1.5	4.25	2.875	2.817	2.5	70mm

DESIGN DETAILS AND SPECIFICATIONS SUBJECT TO CHANGE WITHOUT PRIOR NOTICE - Whilst every effort has been made to ensure the accuracy of the information supplied herein, Burnett & Hillman cannot be held responsible for any errors or omissions (E&OE)

A/F dimensions are imperial unless stated.



	T1	T2	B1	B2	L1	O/L	LL1	LL2	A/F	A/F1
05013	1/4	1/8	4.7	3.18	14.35	33.91	25.22	22.35	0.625	14mm
05000	1/4	1/4	4.7	4.37	14.35	33.91	25.22	24.77	0.625	19mm
05006	1/4	3/8	0	0	0	0	0	0	0	0
05014	3/8	1/4	9.53	4.37	15.24	38.61	27.56	26.42	0.75	19mm
05001	3/8	3/8	7.92	6.88	15.24	38.61	27.56	29.41	0.75	22mm
05011	3/8	1/2	0	0	0	0	0	0	0	0
05019	3/8	3/4	0	0	0	0	0	0	0	0
05015	1/2	3/8	11.1	6.88	18.8	46.74	33.76	30.73	0.875	22mm
05002	1/2	1/2	11.1	9.53	18.8	46.74	33.76	32.59	0.875	27mm
05012	1/2	3/4	0	0	0	0	0	0	0	0
05017	1/2	1	0	0	0	0	0	0	0	0
05004	3/4	3/4	15.88	15.24	20.83	52.32	36.58	37.29	1.125	32mm
05010	3/4	1	0	0	0	0	0	0	0	0
05009	1	3/4	20.62	15.24	26.67	62.87	47.12	40.72	1.375	32mm
05005	1	1	20.62	20.24	26.67	62.87	44.75	43.79	1.375	41mm
05007	1-1/2	1-1/2	33.32	30.51	35.56	87.63	61.6	59.74	2	55mm
05008	2	2	44.45	44.45	38.1	107.95	73.03	71.55	2.5	70mm

DESIGN DETAILS AND SPECIFICATIONS SUBJECT TO CHANGE WITHOUT PRIOR NOTICE - Whilst every effort has been made to ensure the accuracy of the information supplied herein, Burnett & Hillman cannot be held responsible for any errors or omissions (E&OE)