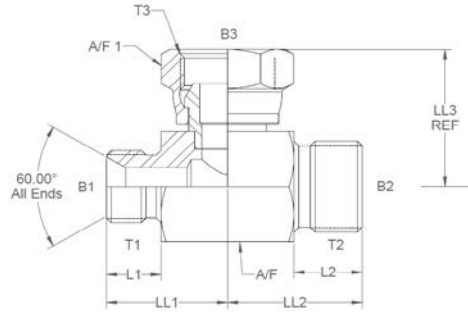
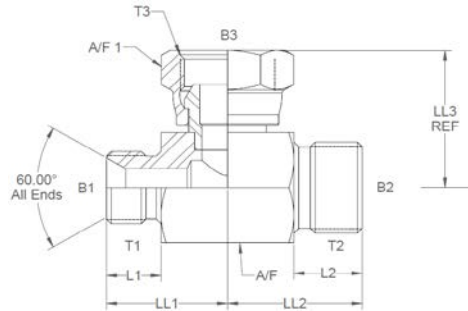


All dimensions are imperial unless stated.



	T1	T2	T3	B1	B2	B3	L1	L2	LL1	LL2	LL3	A/F	A/F1
02014	1/4	1/2	1/2	0.185	0.437	0.375	0.45	0.6	1.015	1.165	1.38	27mm	27mm
01998	3/8	1/2	1/2	0.312	0.437	0.375	0.52	0.6	1.082	1.165	1.38	27mm	27mm
01999	1/2	3/4	3/4	0.437	0.625	0.562	0.6	0.75	1.33	1.48	1.57	32mm	32mm
02013	1/2	3/4	1	0.5	0.625	0.75	0.6	0.75	1.482	1.632	1.69	1.375	41mm
02005-16-12-12	1	3/4	3/4	0.843	0.625	0.562	0.8	0.75	1.65	1.7	1.7	41mm	32mm
02006-16-12-16	1	3/4	1	0.843	0.625	0.75	0.8	0.75	1.65	1.7	1.85	41mm	41mm

A/F dimensions are imperial unless stated.



	T1	T2	T3	B1	B2	B3	L1	L2	LL1	LL2	LL3	A/F	A/F1
02014	1/4	1/2	1/2	4.7	11.1	9.53	11.43	15.24	25.78	29.59	35.05	27mm	27mm
01998	3/8	1/2	1/2	7.92	11.1	9.53	13.21	15.24	27.48	29.59	35.05	27mm	27mm
01999	1/2	3/4	3/4	11.1	15.88	14.27	15.24	19.05	33.78	37.59	39.88	32mm	32mm
02013	1/2	3/4	1	12.7	15.88	19.05	15.24	19.05	37.64	41.45	42.93	1.375	41mm
02005-16-12-12	1	3/4	3/4	21.41	15.88	14.27	20.32	19.05	41.91	43.18	43.18	41mm	32mm
02006-16-12-16	1	3/4	1	21.41	15.88	19.05	20.32	19.05	41.91	43.18	46.99	41mm	41mm