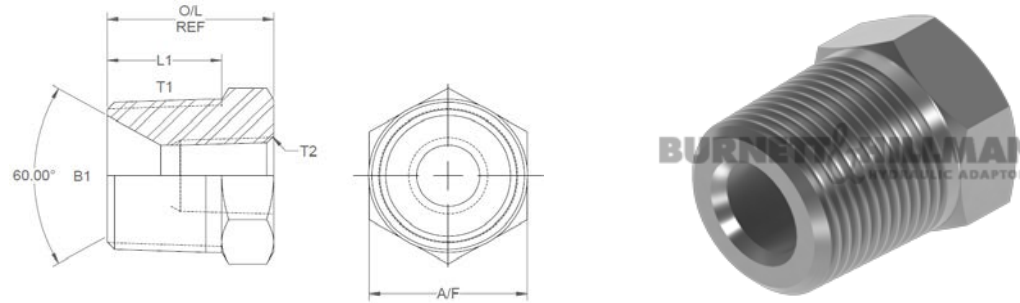


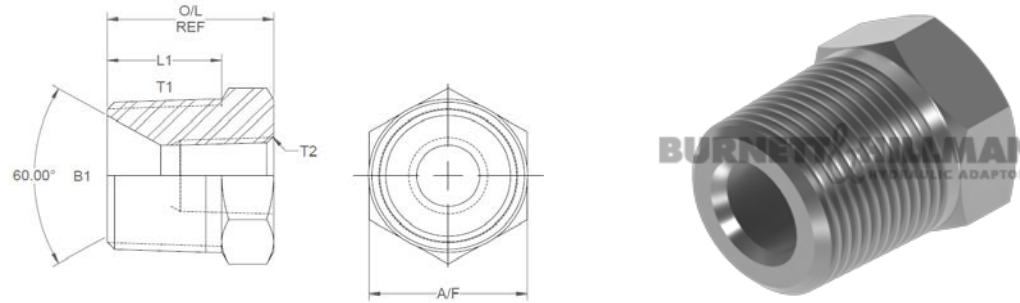
All dimensions are imperial unless stated.



	T1	T2	B1	L1	O/L	A/F
16180CBT	1/4	1/8	0.315	0.58	0.9	0.562
16181CBT	3/8	1/8	0.315	0.67	1	0.687
16182CBT	3/8	1/4	0.44	0.59	0.91	0.687
16183CBT	1/2	1/4	0.44	0.77	1.09	22mm
16184CBT	1/2	3/8	0.561	0.77	1.09	22mm
16185CBT	3/4	1/4	0.425	0.77	1.12	27mm
16186CBT	3/4	3/8	0.561	0.77	1.09	27mm
16187CBT	3/4	1/2	0.698	0.87	1.25	27mm
16196CBT	1	1/4	0.44	1.08	1.565	1.375
16190CBT	1	1/2	0.698	0.99	1.49	1.375
16191CBT	1	3/4	0.906	1.08	1.48	1.375
16192CBT	2	1-1/2	1.728	1.18	1.83	65mm

DESIGN DETAILS AND SPECIFICATIONS SUBJECT TO CHANGE WITHOUT PRIOR NOTICE - Whilst every effort has been made to ensure the accuracy of the information supplied herein, Burnett & Hillman cannot be held responsible for any errors or omissions (E&OE)

A/F dimensions are imperial unless stated.



	T1	T2	B1	L1	O/L	A/F
16180CBT	1/4	1/8	8	14.73	22.86	0.562
16181CBT	3/8	1/8	8	17.02	25.4	0.687
16182CBT	3/8	1/4	11.18	14.99	23.11	0.687
16183CBT	1/2	1/4	11.18	19.56	27.69	22mm
16184CBT	1/2	3/8	14.25	19.56	27.69	22mm
16185CBT	3/4	1/4	10.8	19.56	28.45	27mm
16186CBT	3/4	3/8	14.25	19.56	27.69	27mm
16187CBT	3/4	1/2	17.73	22.1	31.75	27mm
16196CBT	1	1/4	11.18	27.43	39.75	1.375
16190CBT	1	1/2	17.73	25.15	37.85	1.375
16191CBT	1	3/4	23.01	27.43	37.59	1.375
16192CBT	2	1-1/2	43.89	29.97	46.48	65mm

DESIGN DETAILS AND SPECIFICATIONS SUBJECT TO CHANGE WITHOUT PRIOR NOTICE - Whilst every effort has been made to ensure the accuracy of the information supplied herein, Burnett & Hillman cannot be held responsible for any errors or omissions (E&OE)