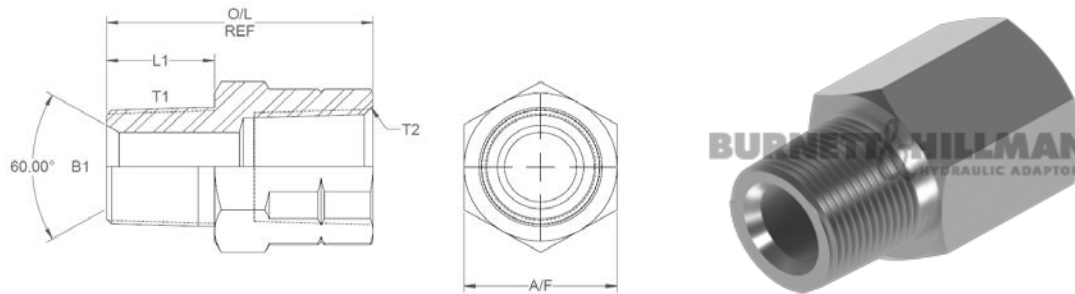


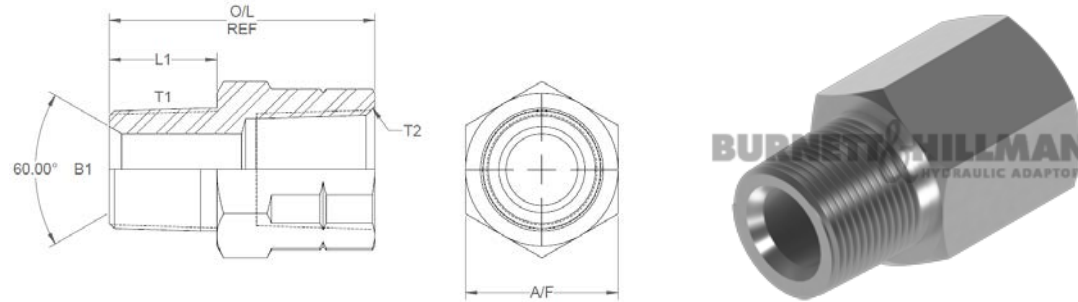
All dimensions are imperial unless stated.



	T1	T2	B1	L1	O/L	A/F
00820	1/8	1/8	0.188	0.38	1	14mm
00821	1/8	1/4	0.188	0.38	1.31	19mm
00822	1/4	1/4	0.25	0.56	1.49	19mm
00823	1/4	3/8	0.25	0.56	1.46	22mm
00860	1/4	1/2	0.25	0.56	1.64	27mm
00843	1/4	1	0.25	0.56	2.06	41mm
00824	3/8	3/8	0.375	0.56	1.47	22mm
00842	3/8	1/2	0.375	0.56	1.63	27mm
00841	3/8	3/4	0.375	0.56	1.98	1.3
00854	3/8	1	0.375	0.56	2.08	41mm
00826	1/2	1/2	0.5	0.75	1.85	27mm
00850	1/2	3/4	0.5	0.75	2.03	32mm
00837	1/2	1	0.5	0.75	2.25	41mm
00829	3/4	3/4	0.625	0.75	2.03	32mm
00844	3/4	1	0.625	0.75	2.25	41mm
00849	3/4	1-1/4	0.625	0.75	2.35	50mm
00831	1	1	0.843	0.97	2.47	41mm
00825	1	1-1/4	0.843	0.97	2.57	50mm
00851	1	1-1/2	0.843	0.97	2.57	55mm
00852	1	2	0.843	0.97	2.71	70mm

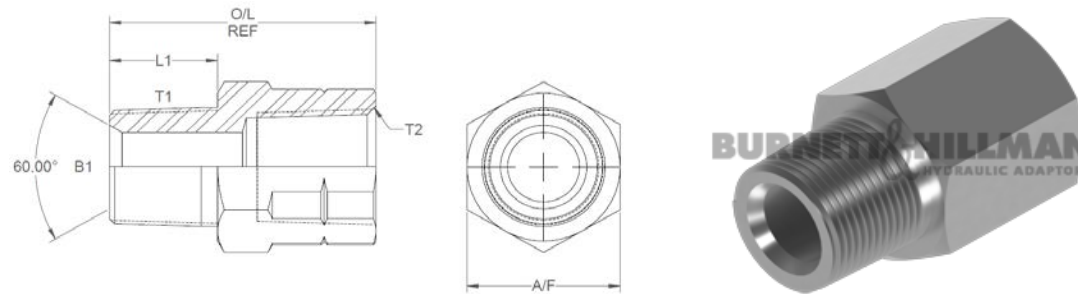
DESIGN DETAILS AND SPECIFICATIONS SUBJECT TO CHANGE WITHOUT PRIOR NOTICE - Whilst every effort has been made to ensure the accuracy of the information supplied herein, Burnett & Hillman cannot be held responsible for any errors or omissions (E&OE)

All dimensions are imperial unless stated.



	T1	T2	B1	L1	O/L	A/F
00833	1-1/4	1-1/4	1.203	0.97	2.68	50mm
00834	1-1/4	1-1/2	1.203	0.97	2.57	55mm
00828	1-1/4	2	1.203	0.97	2.71	70mm
00839	1-1/2	1-1/2	1.312	1	2.6	55mm
00840	1-1/2	2	1.312	1	2.8	70mm
00835	2	2	1.812	1.03	2.83	70mm
00853	2	2-1/2	1.812	1.03	3.45	90mm
00855	2-1/2	2-1/2	2.25	1.52	3.92	90mm

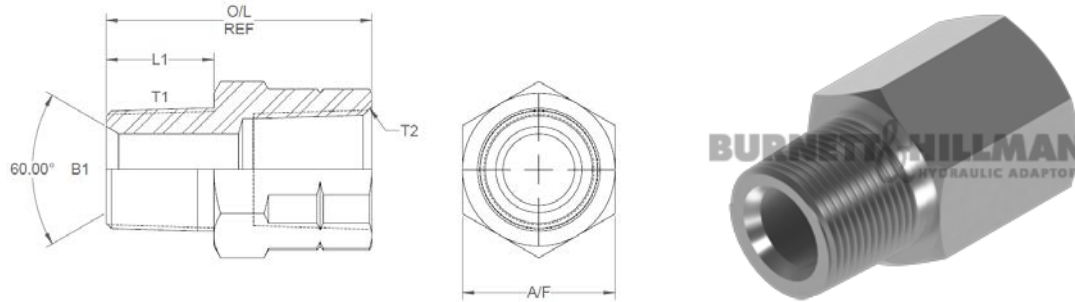
A/F dimensions are imperial unless stated.



	T1	T2	B1	L1	O/L	A/F
00820	1/8	1/8	4.78	9.65	25.4	14mm
00821	1/8	1/4	4.78	9.65	33.27	19mm
00822	1/4	1/4	6.35	14.22	37.85	19mm
00823	1/4	3/8	6.35	14.22	37.08	22mm
00860	1/4	1/2	6.35	14.22	41.66	27mm
00843	1/4	1	6.35	14.22	52.32	41mm
00824	3/8	3/8	9.53	14.22	37.34	22mm
00842	3/8	1/2	9.53	14.22	41.4	27mm
00841	3/8	3/4	9.53	14.22	50.29	1.3
00854	3/8	1	9.53	14.22	52.83	41mm
00826	1/2	1/2	12.7	19.05	46.99	27mm
00850	1/2	3/4	12.7	19.05	51.56	32mm
00837	1/2	1	12.7	19.05	57.15	41mm
00829	3/4	3/4	15.88	19.05	51.56	32mm
00844	3/4	1	15.88	19.05	57.15	41mm
00849	3/4	1-1/4	15.88	19.05	59.69	50mm
00831	1	1	21.41	24.64	62.74	41mm
00825	1	1-1/4	21.41	24.64	65.28	50mm
00851	1	1-1/2	21.41	24.64	65.28	55mm
00852	1	2	21.41	24.64	68.83	70mm

DESIGN DETAILS AND SPECIFICATIONS SUBJECT TO CHANGE WITHOUT PRIOR NOTICE - Whilst every effort has been made to ensure the accuracy of the information supplied herein, Burnett & Hillman cannot be held responsible for any errors or omissions (E&OE)

A/F dimensions are imperial unless stated.



	T1	T2	B1	L1	O/L	A/F
00833	1-1/4	1-1/4	30.56	24.64	68.07	50mm
00834	1-1/4	1-1/2	30.56	24.64	65.28	55mm
00828	1-1/4	2	30.56	24.64	68.83	70mm
00839	1-1/2	1-1/2	33.32	25.4	66.04	55mm
00840	1-1/2	2	33.32	25.4	71.12	70mm
00835	2	2	46.02	26.16	71.88	70mm
00853	2	2-1/2	46.02	26.16	87.63	90mm
00855	2-1/2	2-1/2	57.15	38.61	99.57	90mm