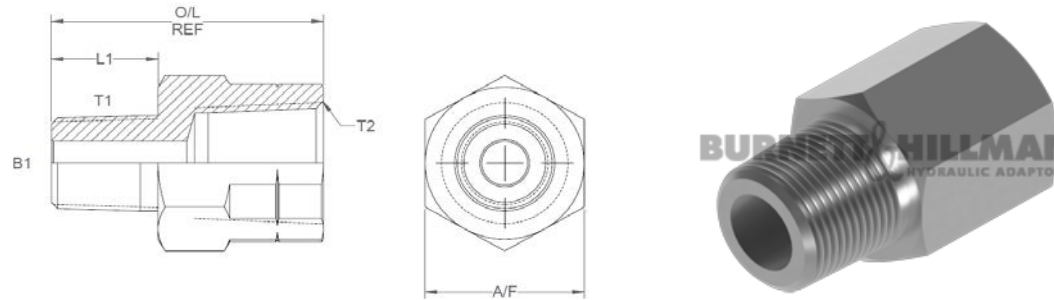


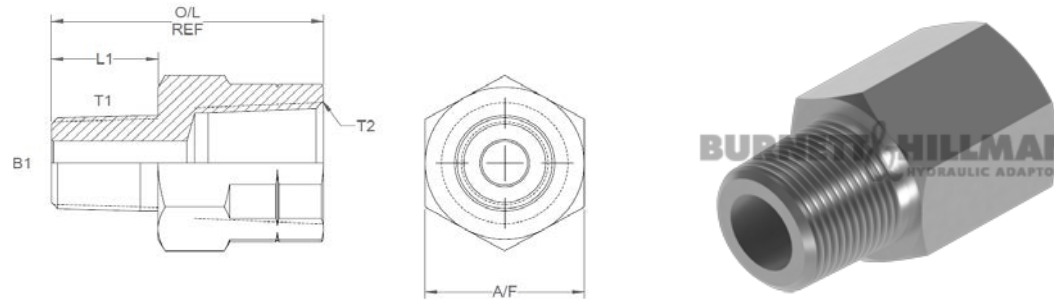
All dimensions are imperial unless stated.



	T1	T2	B1	L1	O/L	A/F
18205	1/8	1/8	0.187	0.4	1.025	14mm
18206	1/4	1/4	0.25	0.58	1.41	19mm
18220	1/4	3/8	0.25	0.58	1.61	22mm
18219	1/4	1/2	0.25	0.58	1.68	27mm
18207	3/8	3/8	0.375	0.59	1.51	22mm
18221	1/2	3/8	0.5	0.77	1.69	22mm
18222	1/2	1/2	0.5	0.77	1.87	27mm
18211	3/4	3/4	0.687	0.77	2.05	32mm
18217	1	1	0.875	0.99	2.73	41mm
02-FX-20R20N	1-1/4	1-1/4	1.203	1	2.71	50mm
18226	1-1/2	1-1/2	1.312	1.17	2.77	55mm
18214	2	2	1.812	1.18	2.98	70mm
18224	2-1/2	2-1/2	2.375	1.55	3.962	90mm
02-FX-48R48N	3	3	2.76	1.562	3.98	4.75

DESIGN DETAILS AND SPECIFICATIONS SUBJECT TO CHANGE WITHOUT PRIOR NOTICE - Whilst every effort has been made to ensure the accuracy of the information supplied herein, Burnett & Hillman cannot be held responsible for any errors or omissions (E&OE)

A/F dimensions are imperial unless stated.



	T1	T2	B1	L1	O/L	A/F
18205	1/8	1/8	4.75	10.16	26.04	14mm
18206	1/4	1/4	6.35	14.73	35.81	19mm
18220	1/4	3/8	6.35	14.73	40.89	22mm
18219	1/4	1/2	6.35	14.73	42.67	27mm
18207	3/8	3/8	9.53	14.99	38.35	22mm
18221	1/2	3/8	12.7	19.56	42.93	22mm
18222	1/2	1/2	12.7	19.56	47.5	27mm
18211	3/4	3/4	17.45	19.56	52.07	32mm
18217	1	1	22.23	25.15	69.34	41mm
02-FX-20R20N	1-1/4	1-1/4	30.56	25.4	68.83	50mm
18226	1-1/2	1-1/2	33.32	29.72	70.36	55mm
18214	2	2	46.02	29.97	75.69	70mm
18224	2-1/2	2-1/2	60.33	39.37	100.64	90mm
02-FX-48R48N	3	3	70.1	39.67	101.09	4.75

DESIGN DETAILS AND SPECIFICATIONS SUBJECT TO CHANGE WITHOUT PRIOR NOTICE - Whilst every effort has been made to ensure the accuracy of the information supplied herein, Burnett & Hillman cannot be held responsible for any errors or omissions (E&OE)