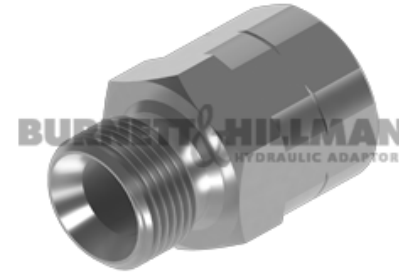
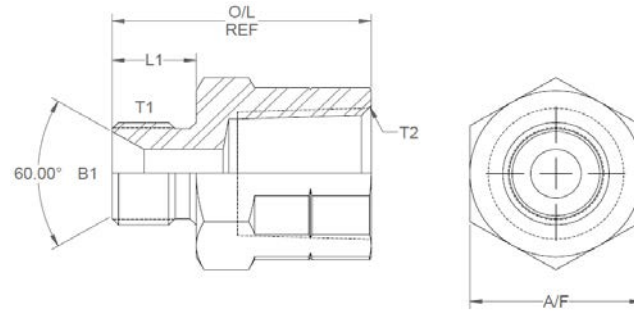


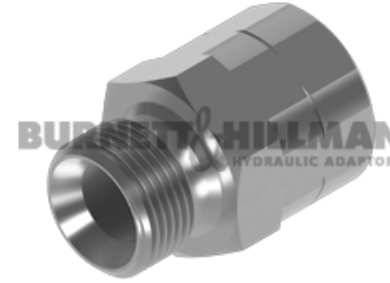
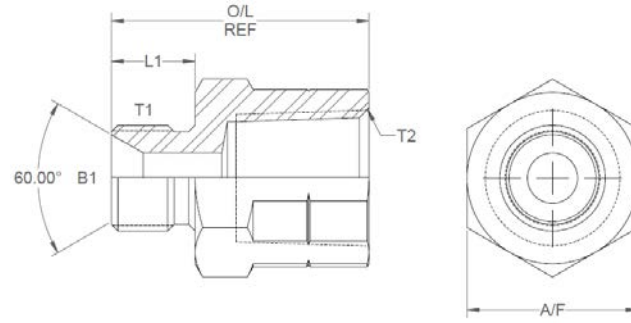
All dimensions are imperial unless stated.



	T1	T2	B1	L1	O/L	A/F
16060	1/8	1/8	0.137	0.44	1.07	14mm
16064	1/8	1/4	0.137	0.44	1.25	19mm
16061	1/4	1/8	0.185	0.45	1.26	19mm
16062	1/4	1/4	0.185	0.45	1.26	19mm
16073	1/4	3/8	0.185	0.45	1.36	22mm
16085	1/4	1/2	0.185	0.45	1.53	27mm
16072	3/8	1/4	0.312	0.52	1.43	22mm
16063	3/8	3/8	0.312	0.52	1.43	22mm
16074	3/8	1/2	0.312	0.52	1.6	27mm
16065	1/2	3/8	0.5	0.6	1.68	27mm
16066	1/2	1/2	0.437	0.6	1.68	27mm
16082	1/2	3/4	0.437	0.6	1.95	32mm
16067	3/4	3/4	0.659	0.75	2.1	32mm
16076	3/4	1	0.659	0.75	2.27	41mm
16083	1	3/4	0.875	0.8	2.16	41mm
16068	1	1	0.875	0.8	2.3	41mm
16084	1	1-1/2	0.875	0.8	2.4	55mm
16069	1-1/4	1-1/4	1.125	0.8	2.5	50mm
16088	1-1/4	1-1/2	1.125	0.8	2.39	55mm
16075	1-1/2	1-1/4	1.312	0.85	2.42	55mm

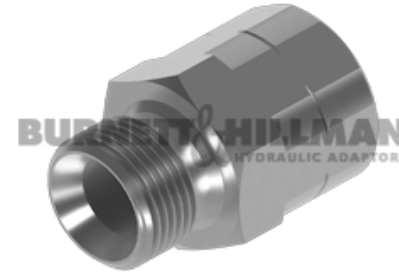
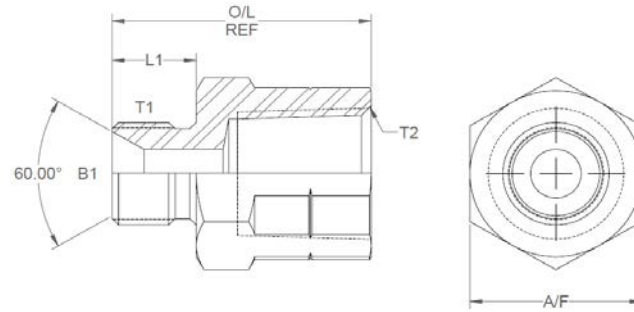
DESIGN DETAILS AND SPECIFICATIONS SUBJECT TO CHANGE WITHOUT PRIOR NOTICE - Whilst every effort has been made to ensure the accuracy of the information supplied herein, Burnett & Hillman cannot be held responsible for any errors or omissions (E&OE)

All dimensions are imperial unless stated.



	T1	T2	B1	L1	O/L	A/F
16070	1-1/2	1-1/2	1.312	0.85	2.42	55mm
02-FX-24G32N	1-1/2	2	1.312	0.85	2.59	70mm
16071	2	2	1.812	1	2.74	70mm
02-FX-40G40N	2-1/2	2-1/2	2.37	1	3.4	90mm

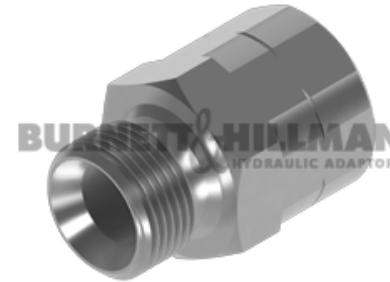
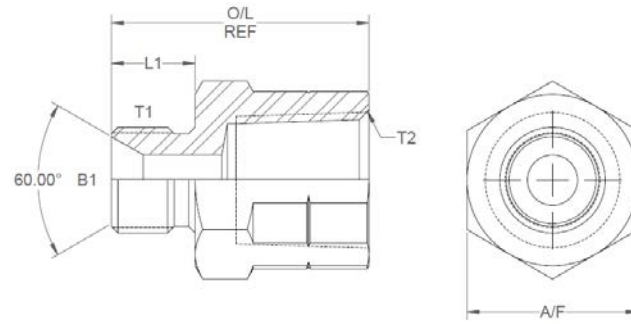
A/F dimensions are imperial unless stated.



	T1	T2	B1	L1	O/L	A/F
16060	1/8	1/8	3.48	11.18	27.18	14mm
16064	1/8	1/4	3.48	11.18	31.75	19mm
16061	1/4	1/8	4.7	11.43	32	19mm
16062	1/4	1/4	4.7	11.43	32	19mm
16073	1/4	3/8	4.7	11.43	34.54	22mm
16085	1/4	1/2	4.7	11.43	38.86	27mm
16072	3/8	1/4	7.92	13.21	36.32	22mm
16063	3/8	3/8	7.92	13.21	36.32	22mm
16074	3/8	1/2	7.92	13.21	40.64	27mm
16065	1/2	3/8	12.7	15.24	42.67	27mm
16066	1/2	1/2	11.1	15.24	42.67	27mm
16082	1/2	3/4	11.1	15.24	49.53	32mm
16067	3/4	3/4	16.74	19.05	53.34	32mm
16076	3/4	1	16.74	19.05	57.66	41mm
16083	1	3/4	22.23	20.32	54.86	41mm
16068	1	1	22.23	20.32	58.42	41mm
16084	1	1-1/2	22.23	20.32	60.96	55mm
16069	1-1/4	1-1/4	28.58	20.32	63.5	50mm
16088	1-1/4	1-1/2	28.58	20.32	60.71	55mm
16075	1-1/2	1-1/4	33.32	21.59	61.47	55mm

DESIGN DETAILS AND SPECIFICATIONS SUBJECT TO CHANGE WITHOUT PRIOR NOTICE - Whilst every effort has been made to ensure the accuracy of the information supplied herein, Burnett & Hillman cannot be held responsible for any errors or omissions (E&OE)

A/F dimensions are imperial unless stated.



	T1	T2	B1	L1	O/L	A/F
16070	1-1/2	1-1/2	33.32	0.85	2.42	55mm
02-FX-24G32N	1-1/2	2	33.32	0.85	2.59	70mm
16071	2	2	46.02	1	2.74	70mm
02-FX-40G40N	2-1/2	2-1/2	60.2	1	3.4	90mm