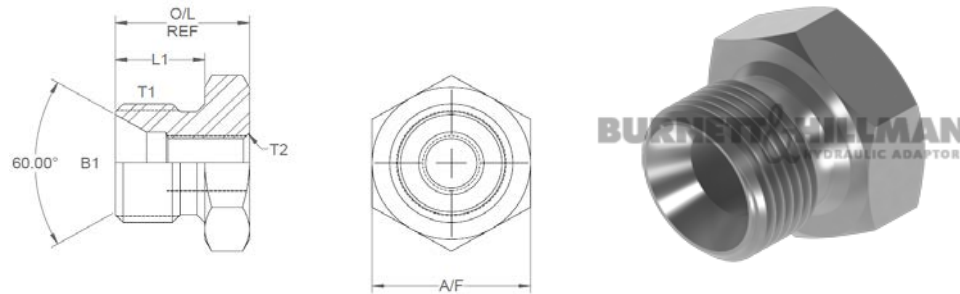


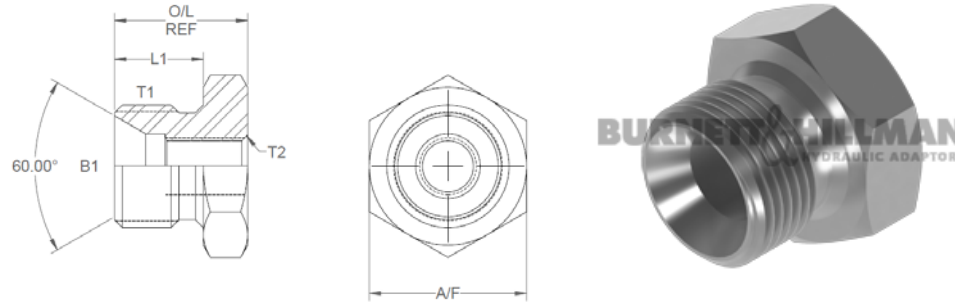
All dimensions are imperial unless stated.



	T1	T2	B1	L1	O/L	A/F
16167	3/8	1/8	0.396	0.52	0.83	22mm
16166	1/2	1/8	0.437	0.6	0.9	27mm
16150	1/2	1/4	0.531	0.6	0.97	27mm
16151	5/8	1/4	0.593	0.7	1.06	30mm
16152	3/4	1/4	0.659	0.75	1.11	32mm
16153	3/4	3/8	0.659	0.75	1.11	32mm
16156	1	1/4	0.875	0.8	1.28	41mm
16168	1	3/8	0.875	0.8	1.28	41mm
16157	1	1/2	0.875	0.8	1.28	41mm
16147	1-1/4	1/2	1.125	0.8	1.3	50mm
16158	1-1/4	3/4	1.125	0.8	1.3	50mm
16162	1-1/4	1	1.211	0.8	1.3	50mm
16529	1-1/2	1/4	1.312	0.85	1.4	55mm
16524	1-1/2	3/8	1.312	0.85	1.4	55mm
16149	1-1/2	1/2	1.437	0.85	1.4	55mm
16159	1-1/2	3/4	1.312	0.85	1.4	55mm
16160	1-1/2	1	1.417	0.85	1.4	55mm
16527	2	1/4	1.781	1.065	1.765	70mm
16528	2	3/8	1.781	1.065	1.765	70mm
16146	2	1/2	1.781	1.065	1.765	70mm

DESIGN DETAILS AND SPECIFICATIONS SUBJECT TO CHANGE WITHOUT PRIOR NOTICE - Whilst every effort has been made to ensure the accuracy of the information supplied herein, Burnett & Hillman cannot be held responsible for any errors or omissions (E&OE)

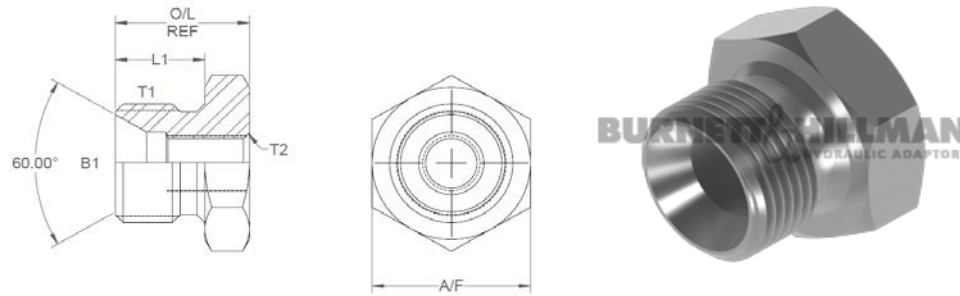
All dimensions are imperial unless stated.



	T1	T2	B1	L1	O/L	A/F
16526	2	3/4	1.781	1.065	1.765	70mm
16161	2	1	1.781	1.065	1.765	70mm
16164	2	1-1/4	1.781	1.065	1.765	70mm
16163	2	1-1/2	1.781	1	1.765	70mm
16165	2-1/2	1-1/2	2.375	1	1.625	3.25
16154	2-1/2	2	2.375	1	1.625	3.25
16148-16B	3	1	2.75	1	1.7	95mm
16148	3	1-1/2	2.75	1	1.7	95mm
16155	3	2	2.75	1	1.7	95mm

DESIGN DETAILS AND SPECIFICATIONS SUBJECT TO CHANGE WITHOUT PRIOR NOTICE - Whilst every effort has been made to ensure the accuracy of the information supplied herein, Burnett & Hillman cannot be held responsible for any errors or omissions (E&OE)

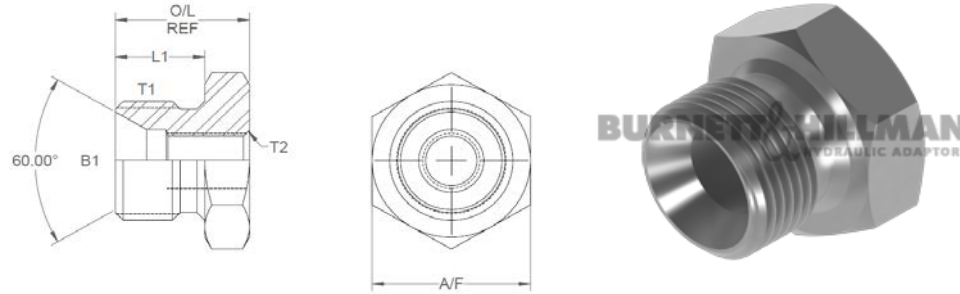
A/F dimensions are imperial unless stated.



	T1	T2	B1	L1	O/L	A/F
16167	3/8	1/8	10.06	13.21	21.08	22mm
16166	1/2	1/8	11.1	15.24	22.86	27mm
16150	1/2	1/4	13.49	15.24	24.64	27mm
16151	5/8	1/4	15.06	17.78	26.92	30mm
16152	3/4	1/4	16.74	19.05	28.19	32mm
16153	3/4	3/8	16.74	19.05	28.19	32mm
16156	1	1/4	22.23	20.32	32.51	41mm
16168	1	3/8	22.23	20.32	32.51	41mm
16157	1	1/2	22.23	20.32	32.51	41mm
16147	1-1/4	1/2	28.58	20.32	33.02	50mm
16158	1-1/4	3/4	28.58	20.32	33.02	50mm
16162	1-1/4	1	30.76	20.32	33.02	50mm
16529	1-1/2	1/4	33.32	21.59	35.56	55mm
16524	1-1/2	3/8	33.32	21.59	35.56	55mm
16149	1-1/2	1/2	36.5	21.59	35.56	55mm
16159	1-1/2	3/4	33.32	21.59	35.56	55mm
16160	1-1/2	1	35.99	21.59	35.56	55mm
16527	2	1/4	45.24	27.05	44.83	70mm
16528	2	3/8	45.24	27.05	44.83	70mm
16146	2	1/2	45.24	27.05	44.83	70mm

DESIGN DETAILS AND SPECIFICATIONS SUBJECT TO CHANGE WITHOUT PRIOR NOTICE - Whilst every effort has been made to ensure the accuracy of the information supplied herein, Burnett & Hillman cannot be held responsible for any errors or omissions (E&OE)

A/F dimensions are imperial unless stated.



	T1	T2	B1	L1	O/L	A/F
16526	2	3/4	45.24	27.05	44.83	70mm
16161	2	1	45.24	27.05	44.83	70mm
16164	2	1-1/4	45.24	27.05	44.83	70mm
16163	2	1-1/2	45.24	25.4	44.83	70mm
16165	2-1/2	1-1/2	60.33	25.4	41.28	3.25
16154	2-1/2	2	60.33	25.4	41.28	3.25
16148-16B	3	1	69.85	25.4	43.18	95mm
16148	3	1-1/2	69.85	25.4	43.18	95mm
16155	3	2	69.85	25.4	43.18	95mm