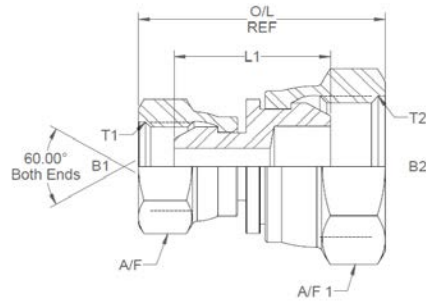


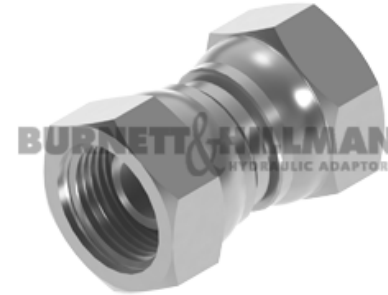
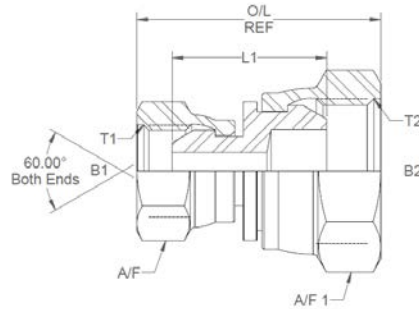
All dimensions are imperial unless stated.



	T1	T2	B1	B2	L1	O/L	A/F	A/F1
01725	1/8	1/8	0.125	0.125	0.8	1.177	14mm	14mm
01726	1/8	1/4	0.125	0.125	0.86	1.25	14mm	19mm
01751	1/8	3/8	0.125	0.271	0.962	1.4	14mm	22mm
01727	1/4	1/4	0.172	0.172	0.92	1.35	19mm	19mm
01728	1/4	3/8	0.172	0.172	1.022	1.5	19mm	22mm
01732	1/4	1/2	0.172	0.172	1.038	1.53	19mm	27mm
01736	1/4	5/8	0.172	0.172	1.01	1.648	0.71	1.1
01724	1/4	3/4	0.172	0.172	1.01	1.615	19mm	32mm
01729	3/8	3/8	0.271	0.271	1.124	1.65	22mm	22mm
01733	3/8	1/2	0.271	0.375	1.14	1.67	22mm	27mm
01737	3/8	5/8	0.296	0.296	1.112	1.78	22mm	30mm
01730	3/8	3/4	0.271	0.6	1.112	1.76	22mm	32mm
01731	3/8	1	0.296	0.296	1.16	1.9	22mm	1.48
01734	1/2	1/2	0.375	0.375	1.156	1.775	27mm	27mm
01746	1/2	5/8	0.375	0.464	1.128	1.828	27mm	30mm
01735	1/2	3/4	0.375	0.375	1.128	1.81	27mm	32mm
01750	1/2	1	0.375	0.797	1.176	1.9	27mm	41mm
01738	5/8	5/8	0.464	0.464	1.1	1.95	30mm	30mm
01740	5/8	3/4	0.5	0.5	1.1	1.92	30mm	32mm
01739	5/8	1	0.5	0.5	1.148	2.03	1.1	1.48

DESIGN DETAILS AND SPECIFICATIONS SUBJECT TO CHANGE WITHOUT PRIOR NOTICE - Whilst every effort has been made to ensure the accuracy of the information supplied herein, Burnett & Hillman cannot be held responsible for any errors or omissions (E&OE)

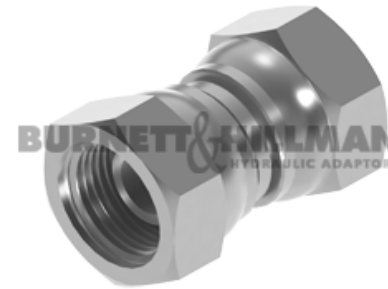
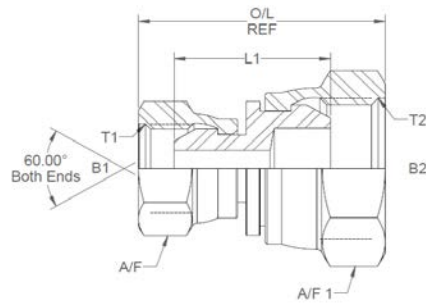
All dimensions are imperial unless stated.



	T1	T2	B1	B2	L1	O/L	A/F	A/F1
01741	3/4	3/4	0.6	0.6	1.1	1.86	32mm	32mm
01742	3/4	1	0.6	0.6	1.148	1.98	32mm	41mm
01747	3/4	1-1/4	0.609	1.047	1.21	2.04	32mm	50mm
01743	1	1	0.797	0.797	1.196	2.1	41mm	41mm
01744	1	1-1/4	0.843	1.047	1.258	2.14	41mm	50mm
01752	1	1-1/2	0.843	1.312	1.398	2.37	41mm	55mm
01745	1-1/4	1-1/4	1.014	1.014	1.32	2.2	50mm	50mm
01753	1-1/4	1-1/2	1.014	1.201	1.46	2.41	50mm	55mm
01756	1-1/4	2	1.047	1.75	1.522	2.63	50mm	70mm
01748	1-1/2	1-1/2	1.312	1.312	1.625	2.62	55mm	55mm
01755	1-1/2	2	1.201	1.703	1.687	2.84	55mm	70mm
01749	2	2	1.703	1.703	1.749	3.08	70mm	70mm

DESIGN DETAILS AND SPECIFICATIONS SUBJECT TO CHANGE WITHOUT PRIOR NOTICE - Whilst every effort has been made to ensure the accuracy of the information supplied herein, Burnett & Hillman cannot be held responsible for any errors or omissions (E&OE)

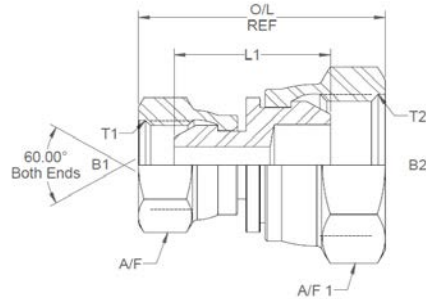
A/F dimensions are imperial unless stated.



	T1	T2	B1	B2	L1	O/L	A/F	A/F1
01725	1/8	1/8	3.18	3.18	20.32	1.177	14mm	14mm
01726	1/8	1/4	3.18	3.18	21.84	1.25	14mm	19mm
01751	1/8	3/8	3.18	6.88	24.43	1.4	14mm	22mm
01727	1/4	1/4	4.37	4.37	23.37	1.35	19mm	19mm
01728	1/4	3/8	4.37	4.37	25.96	1.5	19mm	22mm
01732	1/4	1/2	4.37	4.37	26.37	1.53	19mm	27mm
01736	1/4	5/8	4.37	4.37	25.65	1.648	0.71	1.1
01724	1/4	3/4	4.37	4.37	25.65	1.615	19mm	32mm
01729	3/8	3/8	6.88	6.88	28.55	1.65	22mm	22mm
01733	3/8	1/2	6.88	9.53	28.96	1.67	22mm	27mm
01737	3/8	5/8	7.52	7.52	28.24	1.78	22mm	30mm
01730	3/8	3/4	6.88	15.24	28.24	1.76	22mm	32mm
01731	3/8	1	7.52	7.52	29.46	1.9	22mm	1.48
01734	1/2	1/2	9.53	9.53	29.36	1.775	27mm	27mm
01746	1/2	5/8	9.53	11.79	28.65	1.828	27mm	30mm
01735	1/2	3/4	9.53	9.53	28.65	1.81	27mm	32mm
01750	1/2	1	9.53	20.24	29.87	1.9	27mm	41mm
01738	5/8	5/8	11.79	11.79	27.94	1.95	30mm	30mm
01740	5/8	3/4	12.7	12.7	27.94	1.92	30mm	32mm
01739	5/8	1	12.7	12.7	29.16	2.03	1.1	1.48

DESIGN DETAILS AND SPECIFICATIONS SUBJECT TO CHANGE WITHOUT PRIOR NOTICE - Whilst every effort has been made to ensure the accuracy of the information supplied herein, Burnett & Hillman cannot be held responsible for any errors or omissions (E&OE)

A/F dimensions are imperial unless stated.



	T1	T2	B1	B2	L1	O/L	A/F	A/F1
01741	3/4	3/4	15.24	15.24	27.94	47.24	32mm	32mm
01742	3/4	1	15.24	15.24	29.16	50.29	32mm	41mm
01747	3/4	1-1/4	15.47	26.59	30.73	51.82	32mm	50mm
01743	1	1	20.24	20.24	30.38	53.34	41mm	41mm
01744	1	1-1/4	21.41	26.59	31.95	54.36	41mm	50mm
01752	1	1-1/2	21.41	33.32	35.51	60.2	41mm	55mm
01745	1-1/4	1-1/4	25.76	25.76	33.53	55.88	50mm	50mm
01753	1-1/4	1-1/2	25.76	30.51	37.08	61.21	50mm	55mm
01756	1-1/4	2	26.59	44.45	38.66	66.8	50mm	70mm
01748	1-1/2	1-1/2	33.32	33.32	41.28	66.55	55mm	55mm
01755	1-1/2	2	30.51	43.26	42.85	72.14	55mm	70mm
01749	2	2	43.26	43.26	44.42	78.23	70mm	70mm

DESIGN DETAILS AND SPECIFICATIONS SUBJECT TO CHANGE WITHOUT PRIOR NOTICE - Whilst every effort has been made to ensure the accuracy of the information supplied herein, Burnett & Hillman cannot be held responsible for any errors or omissions (E&OE)