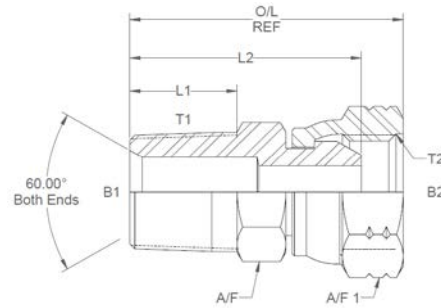


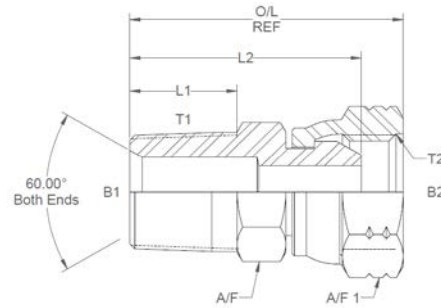
All dimensions are imperial unless stated.



	T1	T2	B1	B2	L1	L2	O/L	A/F	A/F1
10875	1/8	1/8	0.188	0.125	0.38	0.98	1.19	14mm	14mm
10873	0	0	0	0	0	0	0	0	0
10876	1/4	1/4	0.25	0.172	0.56	1.27	1.48	0.562	19mm
10886	1/4	3/8	0.25	0.271	0.56	1.382	1.66	19mm	22mm
10872	3/8	1/4	0.375	0.172	0.56	1.29	1.54	19mm	19mm
10877	3/8	3/8	0.375	0.271	0.56	1.392	1.665	19mm	22mm
10884	3/8	1/2	0.375	0.375	0.56	1.408	1.765	22mm	27mm
10874	1/2	3/8	0.5	0.271	0.75	1.58	1.83	22mm	22mm
10878	1/2	1/2	0.5	0.375	0.75	1.618	1.93	22mm	27mm
10879	1/2	3/4	0.5	0.6	0.75	1.667	2.05	30mm	32mm
10880	3/4	1/2	0.687	0.375	0.75	1.628	1.98	27mm	27mm
10881	3/4	3/4	0.687	0.6	0.75	1.63	2.05	30mm	32mm
10887	3/4	1	0.687	0.797	0.75	1.7	2.2	1.5	41mm
10882	1	3/4	0.843	0.6	0.97	1.85	2.278	1.375	32mm
10885	1	1	0.843	0.797	0.97	1.898	2.38	1.5	41mm
10888	0	0	0	0	0	0	0	0	0
10883	0	0	0	0	0	0	0	0	0

DESIGN DETAILS AND SPECIFICATIONS SUBJECT TO CHANGE WITHOUT PRIOR NOTICE - Whilst every effort has been made to ensure the accuracy of the information supplied herein, Burnett & Hillman cannot be held responsible for any errors or omissions (E&OE)

A/F dimensions are imperial unless stated.



	T1	T2	B1	B2	L1	L2	O/L	A/F	A/F1
10875	1/8	1/8	4.78	3.18	9.65	24.89	30.23	14mm	14mm
10873	0	0	0	0	0	0	0	0	0
10876	1/4	1/4	6.35	4.37	14.22	32.26	37.59	0.562	19mm
10886	1/4	3/8	6.35	6.88	14.22	35.1	42.16	19mm	22mm
10872	3/8	1/4	9.53	4.37	14.22	32.77	39.12	19mm	19mm
10877	3/8	3/8	9.53	6.88	14.22	35.36	42.29	19mm	22mm
10884	3/8	1/2	9.53	9.53	14.22	35.76	44.83	22mm	27mm
10874	1/2	3/8	12.7	6.88	19.05	40.13	46.48	22mm	22mm
10878	1/2	1/2	12.7	9.53	19.05	41.1	49.02	22mm	27mm
10879	1/2	3/4	12.7	15.24	19.05	42.34	52.07	30mm	32mm
10880	3/4	1/2	17.45	9.53	19.05	41.35	50.29	27mm	27mm
10881	3/4	3/4	17.45	15.24	19.05	41.4	52.07	30mm	32mm
10887	3/4	1	17.45	20.24	19.05	43.18	55.88	1.5	41mm
10882	1	3/4	21.41	15.24	24.64	46.99	57.86	1.375	32mm
10885	1	1	21.41	20.24	24.64	48.21	60.45	1.5	41mm
10888	0	0	0	0	0	0	0	0	0
10883	0	0	0	0	0	0	0	0	0

DESIGN DETAILS AND SPECIFICATIONS SUBJECT TO CHANGE WITHOUT PRIOR NOTICE - Whilst every effort has been made to ensure the accuracy of the information supplied herein, Burnett & Hillman cannot be held responsible for any errors or omissions (E&OE)