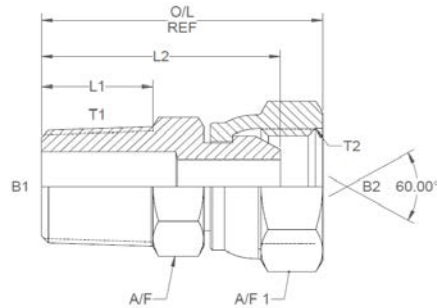


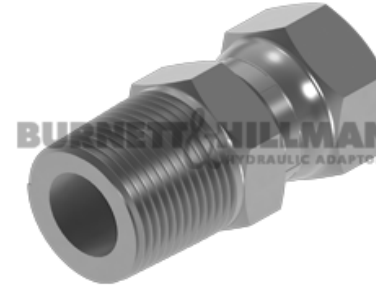
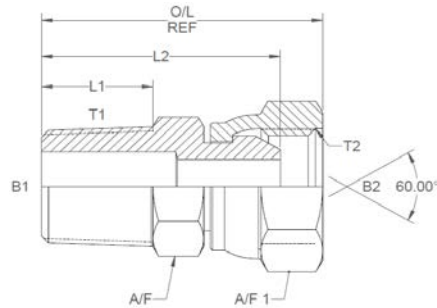
All dimensions are imperial unless stated.



	T1	T2	B1	B2	L1	L2	O/L	A/F	A/F1
01875	1/8	1/8	0.187	0.125	0.41	1.035	1.24	14mm	14mm
01876	1/4	1/4	0.25	0.172	0.58	1.3	1.52	0.562	19mm
01877	3/8	3/8	0.375	0.271	0.59	1.422	1.68	0.687	22mm
01885	3/8	1/2	0.375	0.375	0.59	1.438	1.74	22mm	27mm
01884	1/2	3/8	0.5	0.271	0.76	1.602	1.84	22mm	22mm
01878	1/2	1/2	0.5	0.375	0.76	1.628	1.94	22mm	27mm
01879	5/8	5/8	0.593	0.5	0.87	1.72	2.14	27mm	30mm
01880	3/4	1/2	0.687	0.375	0.77	1.71	2	27mm	27mm
01881	3/4	3/4	0.687	0.6	0.77	1.65	2.07	30mm	32mm
01887	3/4	1	0.687	0.687	0.87	1.838	2.31	1.48	1.48
01882	1	3/4	0.875	0.6	0.99	1.99	2.4	1.375	32mm
01883	1	1	0.875	0.797	0.99	2.038	2.48	1.5	41mm
01889	1-1/4	1-1/4	1.203	1.014	1	2.11	2.54	1.75	50mm
01888	1-1/2	1-1/2	1.312	1.201	1.17	2.47	2.978	50mm	55mm
01891	2	1-1/2	1.812	1.201	1.18	2.48	2.98	65mm	55mm
01886	2	2	1.812	1.703	1.18	2.542	3.22	65mm	70mm

DESIGN DETAILS AND SPECIFICATIONS SUBJECT TO CHANGE WITHOUT PRIOR NOTICE - Whilst every effort has been made to ensure the accuracy of the information supplied herein, Burnett & Hillman cannot be held responsible for any errors or omissions (E&OE)

A/F dimensions are imperial unless stated.



	T1	T2	B1	B2	L1	L2	O/L	A/F	A/F1
01875	1/8	1/8	4.75	3.18	10.41	26.29	31.5	14mm	14mm
01876	1/4	1/4	6.35	4.37	14.73	33.02	38.61	0.562	19mm
01877	3/8	3/8	9.53	6.88	14.99	36.12	42.67	0.687	22mm
01885	3/8	1/2	9.53	9.53	14.99	36.53	44.2	22mm	27mm
01884	1/2	3/8	12.7	6.88	19.3	40.69	46.74	22mm	22mm
01878	1/2	1/2	12.7	9.53	19.3	41.35	49.28	22mm	27mm
01879	5/8	5/8	15.06	12.7	22.1	43.69	54.36	27mm	30mm
01880	3/4	1/2	17.45	9.53	19.56	43.43	50.8	27mm	27mm
01881	3/4	3/4	17.45	15.24	19.56	41.91	52.58	30mm	32mm
01887	3/4	1	17.45	17.45	22.1	46.69	58.67	1.48	1.48
01882	1	3/4	22.23	15.24	25.15	50.55	60.96	1.375	32mm
01883	1	1	22.23	20.24	25.15	51.77	62.99	1.5	41mm
01889	1-1/4	1-1/4	30.56	25.76	25.4	53.59	64.52	1.75	50mm
01888	1-1/2	1-1/2	33.32	30.51	29.72	62.74	75.64	50mm	55mm
01891	2	1-1/2	46.02	30.51	29.97	62.99	75.69	65mm	55mm
01886	2	2	46.02	43.26	29.97	64.57	81.79	65mm	70mm

DESIGN DETAILS AND SPECIFICATIONS SUBJECT TO CHANGE WITHOUT PRIOR NOTICE - Whilst every effort has been made to ensure the accuracy of the information supplied herein, Burnett & Hillman cannot be held responsible for any errors or omissions (E&OE)