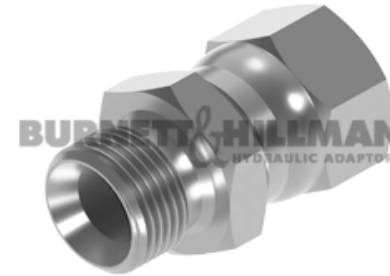
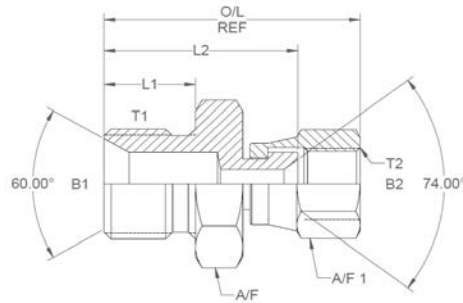


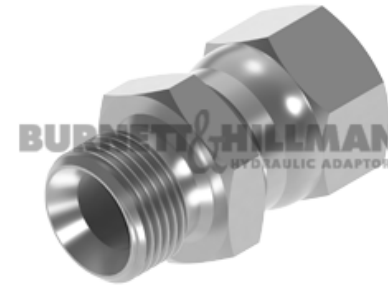
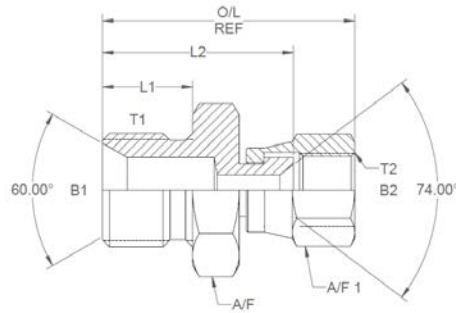
All dimensions are imperial unless stated.



	T1	T2	B1	B2	L1	L2	O/L	A/F	A/F1
11501	1/8	7/16	0.137	0.176	0.45	0.963	1.33	14mm	0.562
11513	1/4	7/16	0.185	0.176	0.45	1.003	1.38	19mm	0.562
11514	1/4	1/2	0.185	0.203	0.45	1.059	1.45	19mm	0.625
11515	1/4	9/16	0.185	0.185	0.45	1.06	1.46	19mm	0.687
11516	1/4	3/4	0.185	0.39	0.45	1.218	1.67	22mm	0.875
11524	3/8	7/16	0.312	0.176	0.52	1.103	1.475	22mm	0.562
11525	3/8	1/2	0.312	0.203	0.52	1.099	1.495	22mm	0.625
11526	3/8	9/16	0.312	0.296	0.52	1.13	1.51	22mm	0.687
11527	3/8	3/4	0.312	0.312	0.52	1.308	1.75	22mm	0.875
11528	3/8	7/8	0.312	0.484	0.52	1.355	1.86	22mm	1
11529	3/8	1-1/16	0.375	0.5	0.52	1.447	2.04	1.125	1.25
11531	3/8	1-5/16	0.375	0.812	0.52	1.58	2.18	1.375	1.5
11536	1/2	7/16	0.437	0.176	0.6	1.188	1.54	27mm	0.562
11537	1/2	1/2	0.437	0.203	0.6	1.209	1.61	27mm	0.625
11538	1/2	9/16	0.437	0.296	0.6	1.255	1.64	27mm	0.687
11539	1/2	3/4	0.437	0.39	0.6	1.448	1.86	27mm	0.875
11540	1/2	7/8	0.437	0.437	0.6	1.495	2.02	27mm	1
11541	1/2	1-1/16	0.437	0.593	0.6	1.527	2.1	27mm	1.25
11551	5/8	3/4	0.593	0.39	0.7	1.508	1.95	30mm	0.875
11553	5/8	1-1/16	0.593	0.593	0.7	1.627	2.3	1.125	1.25
11552	5/8	7/8	0.593	0.5	0.7	1.565	2.08	30mm	1

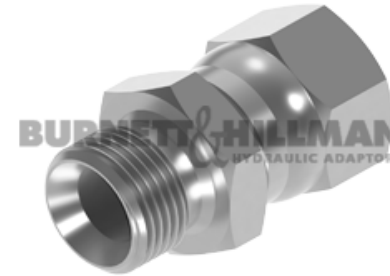
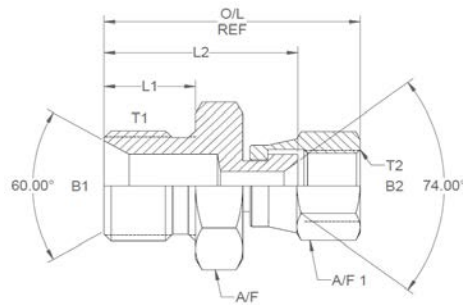
DESIGN DETAILS AND SPECIFICATIONS SUBJECT TO CHANGE WITHOUT PRIOR NOTICE - Whilst every effort has been made to ensure the accuracy of the information supplied herein, Burnett & Hillman cannot be held responsible for any errors or omissions (E&OE)

All dimensions are imperial unless stated.



	T1	T2	B1	B2	L1	L2	O/L	A/F	A/F1
11562	3/4	9/16	0.659	0.296	0.75	1.49	1.88	32mm	0.687
11563	3/4	3/4	0.659	0.39	0.75	1.588	2.05	32mm	0.875
11564	3/4	7/8	0.659	0.5	0.75	1.635	2.13	32mm	1
11565	3/4	1-1/16	0.659	0.593	0.75	1.677	2.24	32mm	1.25
11566	3/4	1-3/16	0.659	0.75	0.75	1.722	2.32	32mm	1.375
11567	3/4	1-5/16	0.659	0.812	17.5	1.81	2.41	1.375	1.5
11568	3/4	1-5/8	0.659	1.075	0.75	1.841	2.48	1.75	50mm
11581	1	7/8	0.875	0.5	0.8	1.735	2.24	41mm	1
11577	1	1-1/16	0.875	0.593	0.8	1.757	2.33	41mm	1.25
11578	1	1-3/16	0.875	0.75	0.8	1.772	2.36	41mm	1.375
11579	1	1-5/16	0.875	0.812	0.8	1.81	2.42	41mm	1.5
11580	1	1-5/8	0.875	1.075	0.8	1.851	2.53	1.75	50mm
11591	1-1/4	1-5/16	1.125	0.812	0.8	1.82	2.43	50mm	1.5
11592	1-1/4	1-5/8	1.125	1.075	0.8	1.891	2.59	50mm	50mm
11593	1-1/4	1-7/8	1.125	1.25	0.8	2.06	2.72	50mm	55mm
11606	1-1/2	1-5/8	1.312	1.075	0.85	1.991	2.62	55mm	50mm
11605	1-1/2	1-7/8	1.312	1.25	0.85	2.12	2.78	55mm	55mm
11619	0	0	0	0	0	0	0	0	0
11617	2	1-7/8	1.812	1.25	1	2.25	2.92	70mm	55mm
11618	2	2-1/2	1.75	1.75	1	2.43	3.35	70mm	70mm

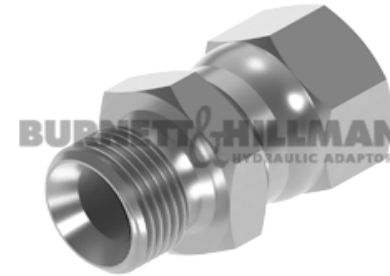
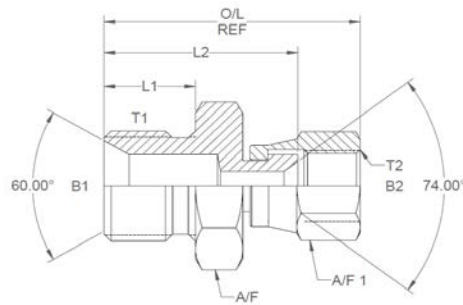
A/F dimensions are imperial unless stated.



	T1	T2	B1	B2	L1	L2	O/L	A/F	A/F1
11501	1/8	7/16	3.48	4.47	11.43	24.46	33.78	14mm	0.562
11513	1/4	7/16	4.7	4.47	11.43	25.48	35.05	19mm	0.562
11514	1/4	1/2	4.7	5.16	11.43	26.9	36.83	19mm	0.625
11515	1/4	9/16	4.7	4.7	11.43	26.92	37.08	19mm	0.687
11516	1/4	3/4	4.7	9.91	11.43	30.94	42.42	22mm	0.875
11524	3/8	7/16	7.92	4.47	13.21	28.02	37.47	22mm	0.562
11525	3/8	1/2	7.92	5.16	13.21	27.91	37.97	22mm	0.625
11526	3/8	9/16	7.92	7.52	13.21	28.7	38.35	22mm	0.687
11527	3/8	3/4	7.92	7.92	13.21	33.22	44.45	22mm	0.875
11528	3/8	7/8	7.92	12.29	13.21	34.42	47.24	22mm	1
11529	3/8	1-1/16	9.53	12.7	13.21	36.75	51.82	1.125	1.25
11531	3/8	1-5/16	9.53	20.62	13.21	40.13	55.37	1.375	1.5
11536	1/2	7/16	11.1	4.47	15.24	30.18	39.12	27mm	0.562
11537	1/2	1/2	11.1	5.16	15.24	30.71	40.89	27mm	0.625
11538	1/2	9/16	11.1	7.52	15.24	31.88	41.66	27mm	0.687
11539	1/2	3/4	11.1	9.91	15.24	36.78	47.24	27mm	0.875
11540	1/2	7/8	11.1	11.1	15.24	37.97	51.31	27mm	1
11541	1/2	1-1/16	11.1	15.06	15.24	38.79	53.34	27mm	1.25
11551	5/8	3/4	15.06	9.91	17.78	38.3	49.53	30mm	0.875
11552	5/8	7/8	15.06	12.7	17.78	39.75	52.83	30mm	1
11553	5/8	1-1/16	15.06	15.06	17.78	41.33	58.42	1.125	1.25

DESIGN DETAILS AND SPECIFICATIONS SUBJECT TO CHANGE WITHOUT PRIOR NOTICE - Whilst every effort has been made to ensure the accuracy of the information supplied herein, Burnett & Hillman cannot be held responsible for any errors or omissions (E&OE)

A/F dimensions are imperial unless stated.



	T1	T2	B1	B2	L1	L2	O/L	A/F	A/F1
11562	3/4	9/16	16.74	7.52	19.05	37.85	47.75	32mm	0.687
11563	3/4	3/4	16.74	9.91	19.05	40.34	52.07	32mm	0.875
11564	3/4	7/8	16.74	12.7	19.05	41.53	54.1	32mm	1
11565	3/4	1-1/16	16.74	15.06	19.05	42.6	56.9	32mm	1.25
11566	3/4	1-3/16	16.74	19.05	19.05	43.74	58.93	32mm	1.375
11567	3/4	1-5/16	16.74	20.62	44.5	45.97	61.21	1.375	1.5
11568	3/4	1-5/8	16.74	27.31	19.05	46.76	62.99	1.75	50mm
11581	1	7/8	22.23	12.7	20.32	44.07	56.9	41mm	1
11577	1	1-1/16	22.23	15.06	20.32	44.63	59.18	41mm	1.25
11578	1	1-3/16	22.23	19.05	20.32	45.01	59.94	41mm	1.375
11579	1	1-5/16	22.23	20.62	20.32	45.97	61.47	41mm	1.5
11580	1	1-5/8	22.23	27.31	20.32	47.02	64.26	1.75	50mm
11591	1-1/4	1-5/16	28.58	20.62	20.32	46.23	61.72	50mm	1.5
11592	1-1/4	1-5/8	28.58	27.31	20.32	48.03	65.79	50mm	50mm
11593	1-1/4	1-7/8	28.58	31.75	20.32	52.32	69.09	50mm	55mm
11606	1-1/2	1-5/8	33.32	27.31	21.59	50.57	66.55	55mm	50mm
11605	1-1/2	1-7/8	33.32	31.75	21.59	53.85	70.61	55mm	55mm
11619	0	0	0	0	0	0	0	0	0
11617	2	1-7/8	46.02	31.75	25.4	57.15	74.17	70mm	55mm
11618	2	2-1/2	44.45	44.45	25.4	61.72	85.09	70mm	70mm