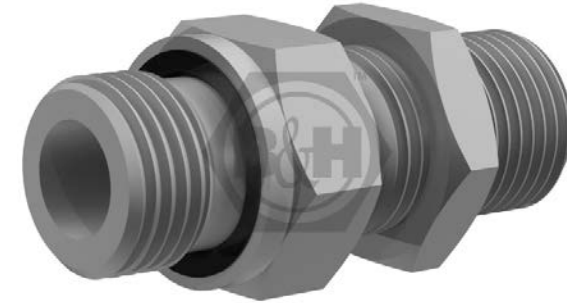
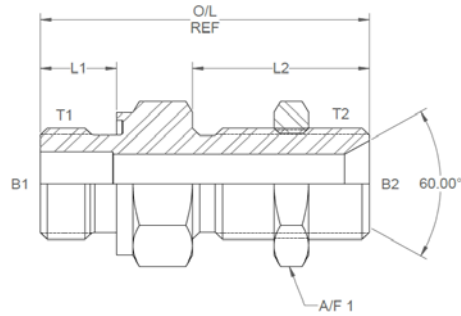
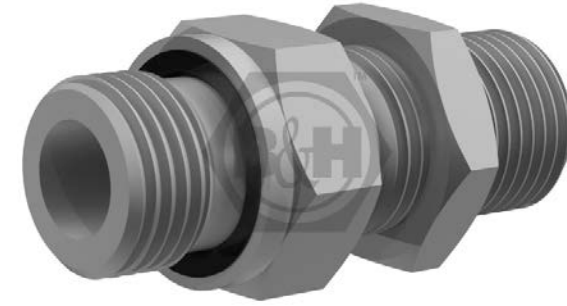
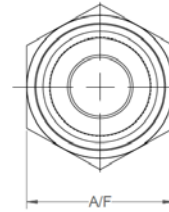
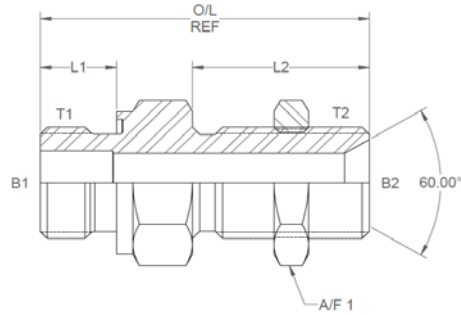


All dimensions are imperial unless stated.



	T1	T2	B1	B2	L1	L2	O/L	A/F	A/F1
09501-CS	1/4	1/4	0.197	0.234	0.472	1.04	1.861	19mm	19mm
09502-CS	3/8	3/8	0.312		0.472	1.1	2.01	22mm	22mm
09503-CS	1/2	1/2	0.472	0.437	0.551	1.28	2.379	27mm	27mm
09505-CS	3/4	3/4	0.625		0.63	1.32	2.448	32mm	32mm
09506-CS	1	1	0.787	0.875	0.709	1.57	2.927	41mm	41mm

A/F dimensions are imperial unless stated.



	T1	T2	B1	B2	L1	L2	O/L	A/F	A/F1
09501-CS	1/4	1/4	5	5.94	11.99	26.42	47.27	19mm	19mm
09502-CS	3/8	3/8	7.92	0.00	11.99	27.94	51.05	22mm	22mm
09503-CS	1/2	1/2	11.99	11.10	14.00	32.51	60.43	27mm	27mm
09505-CS	3/4	3/4	15.88	0.00	16.00	33.53	62.18	32mm	32mm
09506-CS	1	1	19.99	22.23	18.01	39.88	74.35	41mm	41mm