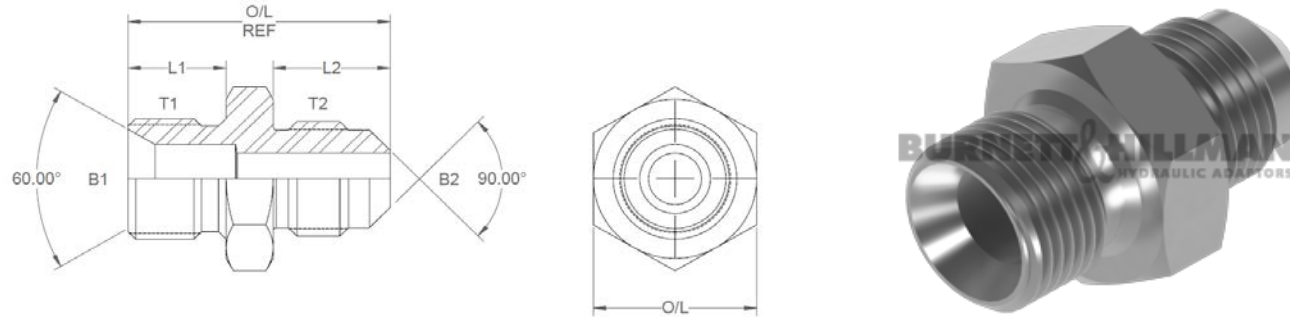
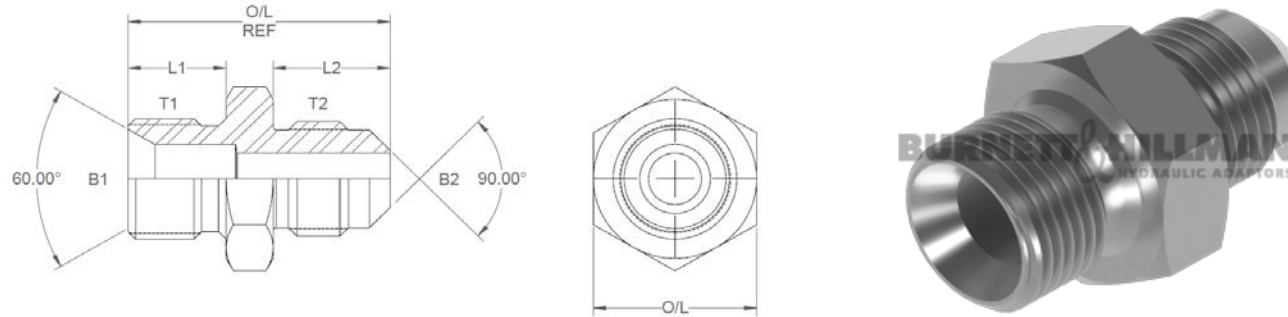


All dimensions are imperial unless stated.



	T1	T2	B1	B2	L1	L2	O/L	A/F
13200	3/8	5/8	0.312	0.281	0.52	0.62	1.39	22mm
13201	3/8	1-1/16	0.312	0.562	0.52	0.98	1.85	30mm

A/F dimensions are imperial unless stated.



	T1	T2	B1	B2	L1	L2	O/L	A/F
13200	3/8	5/8	7.92	7.14	13.21	15.75	35.31	22mm
13201	3/8	1-1/16	7.92	14.27	13.21	24.89	46.99	30mm