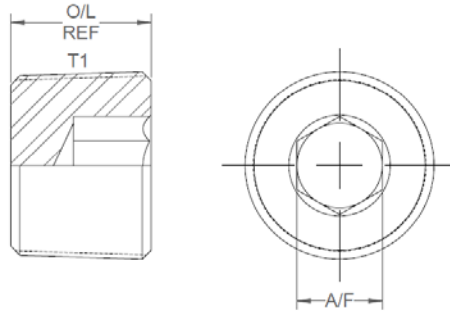


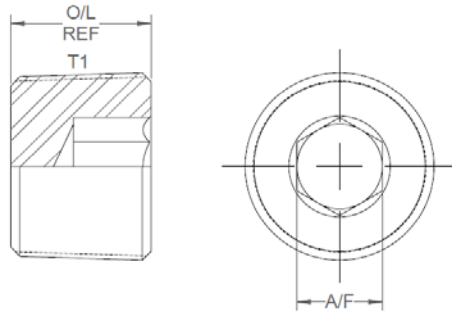
All dimensions are imperial unless stated.



	T1	O/L	A/F
09100/HD	1/8	0.29	0.188
09101/HD	1/4	0.462	0.250
09102/HD	3/8	0.45	0.315
09103/HD	1/2	0.616	0.380
09105/HD	3/4	0.618	0.562
09106/HD	1	0.795	0.625
09107/HD	1-1/4	0.8	0.750
09108/HD	1-1/2	0.834	1
09109/HD	2	0.88	0.875 SQ

DESIGN DETAILS AND SPECIFICATIONS SUBJECT TO CHANGE WITHOUT PRIOR NOTICE - Whilst every effort has been made to ensure the accuracy of the information supplied herein, Burnett & Hillman cannot be held responsible for any errors or omissions (E&OE)

A/F dimensions are imperial unless stated.



	T1	O/L	A/F
09100/HD	1/8	7.37	0.188
09101/HD	1/4	11.73	0.250
09102/HD	3/8	11.43	0.315
09103/HD	1/2	15.65	0.380
09105/HD	3/4	15.7	0.562
09106/HD	1	20.19	0.625
09107/HD	1-1/4	20.32	0.750
09108/HD	1-1/2	21.18	1
09109/HD	2	22.35	0.875 SQ

DESIGN DETAILS AND SPECIFICATIONS SUBJECT TO CHANGE WITHOUT PRIOR NOTICE - Whilst every effort has been made to ensure the accuracy of the information supplied herein, Burnett & Hillman cannot be held responsible for any errors or omissions (E&OE)