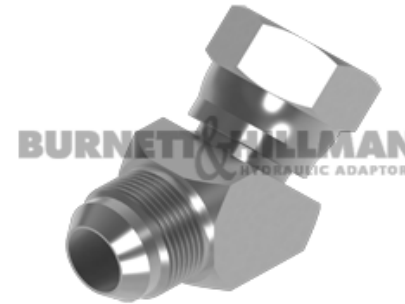
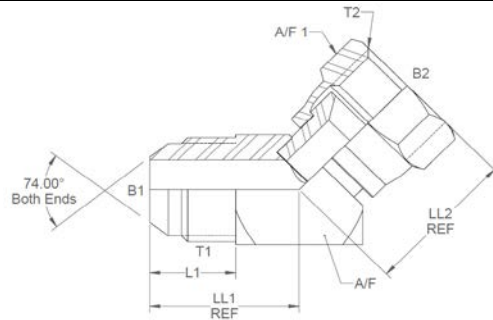
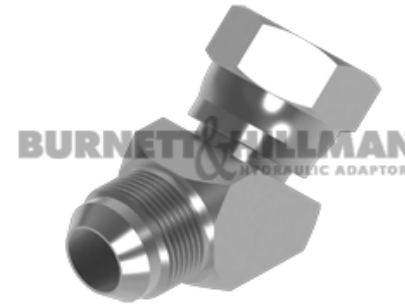
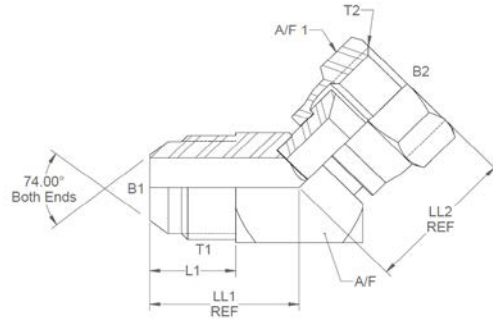


All dimensions are imperial unless stated.



	T1	T2	B1	B2	L1	LL1	LL2	A/F	A/F1
05050/45	7/16	7/16	0.172	0.172	0.64	0.729	0.94	11mm	0.562
05052/45	9/16	9/16	0.296	0.296	0.68	0.826	1.118	14mm	0.687
05053/45	3/4	3/4	0.391	0.391	0.775	0.984	1.279	19mm	0.875
05055/45	1-1/16	1-1/16	0.609	0.609	0.99	1.279	1.5	27mm	1.25
05056/45	1-5/16	1-5/16	0.844	0.844	1.125	1.476	1.748	33mm	1.5
05059/45	1-7/8	1-7/8	1.312	1.312	1.2	1.771	2.251	47mm	2.224

A/F dimensions are imperial unless stated.



	T1	T2	B1	B2	L1	LL1	LL2	A/F	A/F1
05050/45	7/16	7/16	4.37	4.37	16.26	18.52	23.88	11mm	0.562
05052/45	9/16	9/16	7.52	7.52	17.27	20.98	28.4	14mm	0.687
05053/45	3/4	3/4	9.93	9.93	19.69	24.99	32.49	19mm	0.875
05055/45	1-1/16	1-1/16	15.47	15.47	25.15	32.49	38.1	27mm	1.25
05056/45	1-5/16	1-5/16	21.44	21.44	28.58	37.49	44.4	33mm	1.5
05059/45	1-7/8	1-7/8	33.32	33.32	30.48	44.98	57.18	47mm	2.224