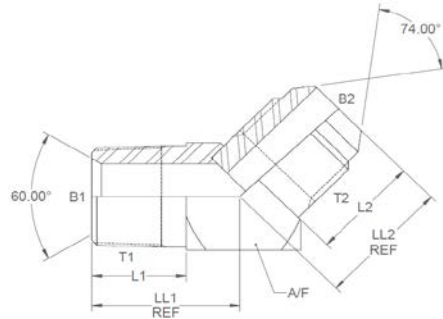
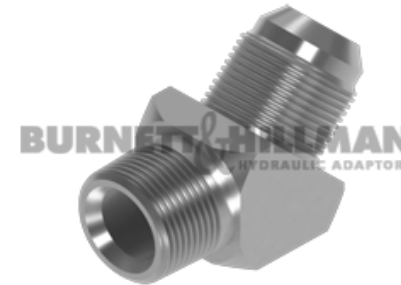
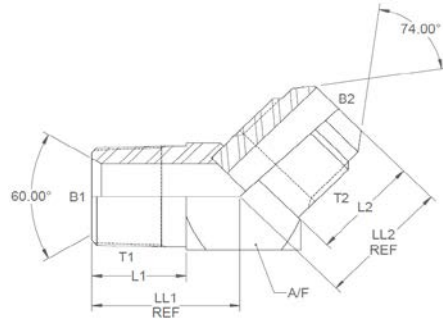


All dimensions are imperial unless stated.



	T1	T2	B1	B2	L1	L2	LL1	LL2	A/F
04050/45	1/8	7/16	0.188	0.172	0.38	0.64	0.64	0.72	11mm
04053/45	1/4	7/16	0.281	0.172	0.56	0.64	0.86	0.72	14mm
04059/45	3/8	9/16	0.375	0.297	0.69	0.68	1.15	0.94	0.75
04060/45	3/8	3/4	0.406	0.391	0.56	0.775	0.95	0.98	19mm
04065/45	1/2	3/4	0.531	0.391	0.75	0.775	1.17	0.98	22mm
04073/45	3/4	1-1/16	0.719	0.609	0.75	0.99	1.2	1.28	27mm
04075/45	3/4	1-5/16	0.687	0.844	0.96	1.125	1.77	1.33	1.375
04076/45	1	1-5/16	0.938	0.844	0.94	1.125	1.48	1.47	33mm

A/F dimensions are imperial unless stated.



	T1	T2	B1	B2	L1	L2	LL1	LL2	A/F
04050/45	1/8	7/16	4.78	4.37	9.65	16.26	16.26	18.29	11mm
04053/45	1/4	7/16	7.14	4.37	14.22	16.26	21.84	18.29	14mm
04059/45	3/8	9/16	9.53	7.54	17.53	17.27	29.21	23.88	0.75
04060/45	3/8	3/4	10.31	9.93	14.22	19.69	24.13	24.89	19mm
04065/45	1/2	3/4	13.49	9.93	19.05	19.69	29.72	24.89	22mm
04073/45	3/4	1-1/16	18.26	15.47	19.05	25.15	30.48	32.51	27mm
04075/45	3/4	1-5/16	17.45	21.44	24.38	28.58	44.96	33.78	1.375
04076/45	1	1-5/16	23.83	21.44	23.88	28.58	37.59	37.34	33mm