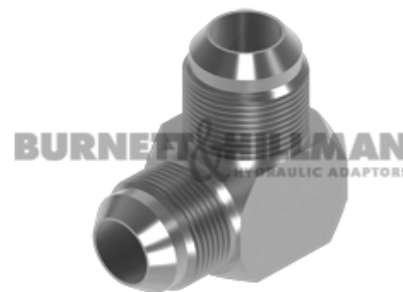
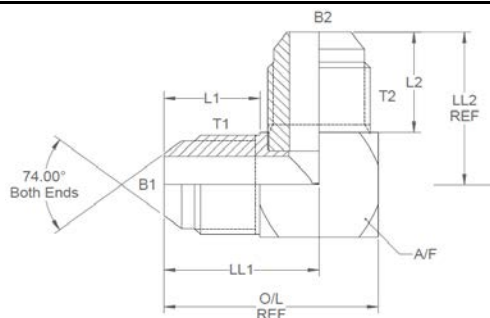
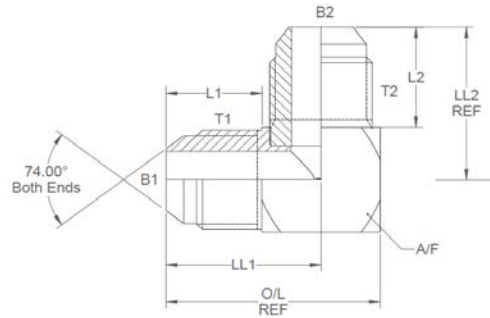


All dimensions are imperial unless stated.



	T1	T2	B1	B2	L1	L2	O/L	LL1	LL2	A/F
03085	7/16	7/16	0.172	0.172	0.64	0.64	1.215	0.927	0.89	0.5
03086	1/2	1/2	0.234	0.234	0.64	0.66	1.29	0.965	0.972	0.625
03087	9/16	9/16	0.296	0.296	0.65	0.65	1.37	1.075	1.075	0.540 hex
03095	3/4	9/16	0.391	0.296	0.775	0.7	1.7	1.237	1.137	0.875
03097	1-1/16	9/16	0.609	0.296	0.99	0.7	2.125	1.73	1.262	1.125
03088	3/4	3/4	0.391	0.391	0.79	0.79	1.66	1.295	1.295	0.750 hex
03096	7/8	3/4	0.484	0.391	0.875	0.85	1.925	1.4	1.35	1
03089	7/8	7/8	0.484	0.484	0.89	0.89	1.942	1.45	1.45	0.875 Hex
03090	1-1/16	1-1/16	0.609	0.609	0.99	1.09	2.215	1.602	1.652	1.125
03091	1-3/16	1-3/16	0.719	0.719	1.1	1.13	2.475	1.787	1.817	1.375
03092	1-5/16	1-5/16	0.844	0.844	1.075	1.075	2.53	1.83	1.83	1.300 hex
03094	1-5/8	1-5/8	1.078	1.078	1.2	1.23	3	2.1	2.105	1.75
03093	1-7/8	1-7/8	1.312	1.312	1.22	1.22	3.375	2.37	2.37	1.860 hex

A/F dimensions are imperial unless stated.



	T1	T2	B1	B2	L1	L2	O/L	LL1	LL2	A/F
03085	7/16	7/16	4.37	4.37	16.26	16.26	30.86	23.55	22.61	0.5
03086	1/2	1/2	5.94	5.94	16.26	16.76	32.77	24.51	24.69	0.625
03087	9/16	9/16	7.52	7.52	16.51	16.51	34.8	27.31	27.31	0.540 hex
03095	3/4	9/16	9.93	7.52	19.69	17.78	43.18	31.42	28.88	0.875
03097	1-1/16	9/16	15.47	7.52	25.15	17.78	53.98	43.94	32.05	1.125
03088	3/4	3/4	9.93	9.93	20.07	20.07	42.16	32.89	32.89	0.750 hex
03096	7/8	3/4	12.29	9.93	22.23	21.59	48.9	35.56	34.29	1
03089	7/8	7/8	12.29	12.29	22.61	22.61	49.33	36.83	36.83	0.875 Hex
03090	1-1/16	1-1/16	15.47	15.47	25.15	27.69	56.26	40.69	41.96	1.125
03091	1-3/16	1-3/16	18.26	18.26	27.94	28.7	62.87	45.39	46.15	1.375
03092	1-5/16	1-5/16	21.44	21.44	27.31	27.31	64.26	46.48	46.48	1.300 hex
03094	1-5/8	1-5/8	27.38	27.38	30.48	31.24	76.2	53.34	53.47	1.75
03093	1-7/8	1-7/8	33.32	33.32	30.99	30.99	85.73	60.2	60.2	1.860 hex