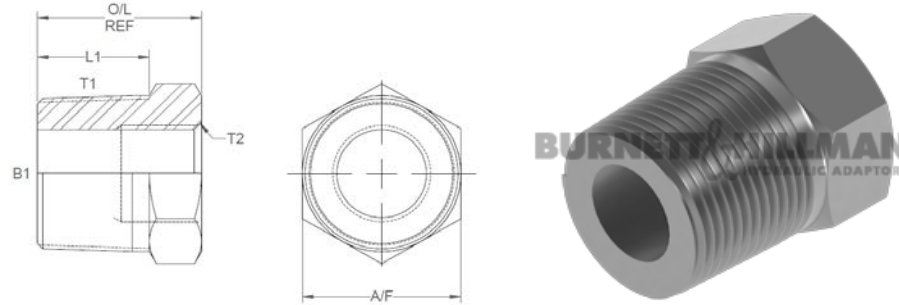


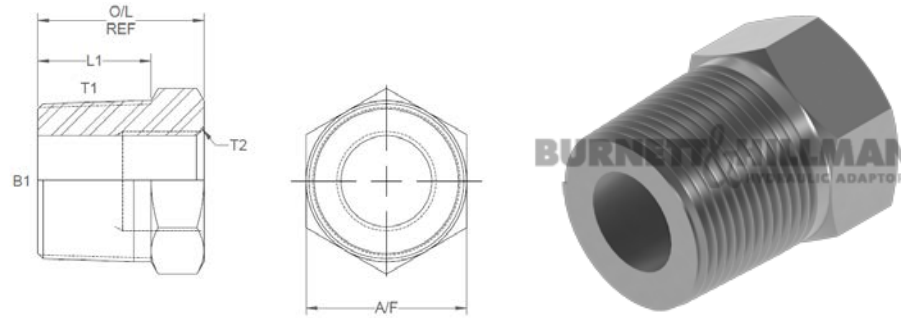
All dimensions are imperial unless stated.



	T1	T2	B1	L1	O/L	A/F
16350	1/4	1/8	0.344	0.56	0.76	0.562
16351	3/8	1/4	0.465	0.56	0.79	0.687
16352	1/2	1/4	0.465	0.75	0.99	22mm
16354	3/4	1/4	0.465	0.75	1.1	27mm
16355	3/4	3/8	0.6	0.75	1.1	27mm
16356	3/4	1/2	0.75	0.75	1.1	27mm
16357	1	1/4	0.465	0.97	1.37	1.375
16358	1	3/8	0.6	0.97	1.37	1.375
16359	1	1/2	0.75	0.97	1.37	1.375
16360	1	3/4	0.965	0.97	1.37	1.375
16374	0	0	0	0	0	0
16367	1-1/4	1/2	0.75	0.97	1.47	1.75
16372	1-1/4	3/4	0.965	0.97	1.47	1.75
16369	1-1/4	1	1.211	0.97	1.47	1.75
16375	1-1/2	1/2	0.75	1	1.5	50mm
16370	1-1/2	3/4	0.965	1	1.5	50mm
16368	1-1/2	1	1.211	1	1.5	50mm
16365	2	1	1.211	1.03	1.73	65mm
16362	2	1-1/4	1.555	1.03	1.73	65mm
16373	2	1-1/2	1.781	1.03	1.73	65mm

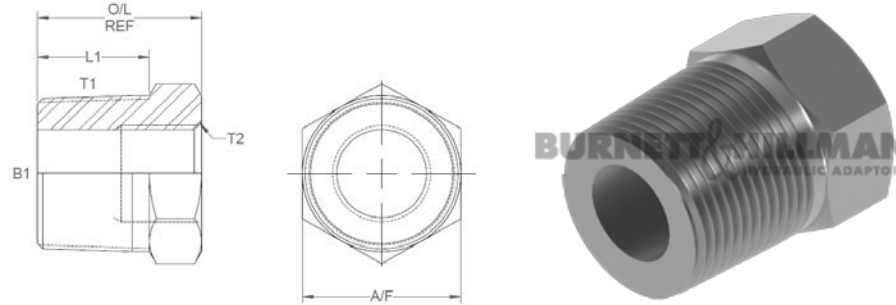
DESIGN DETAILS AND SPECIFICATIONS SUBJECT TO CHANGE WITHOUT PRIOR NOTICE - Whilst every effort has been made to ensure the accuracy of the information supplied herein, Burnett & Hillman cannot be held responsible for any errors or omissions (E&OE)

All dimensions are imperial unless stated.



	T1	T2	B1	L1	O/L	A/F
16361	2-1/2	1-1/2	1.781	1.52	2.17	3.25
16349	2-1/2	2	2.25	1.52	2.17	3.25
16364	3	1	1.211	1.633	2.33	90mm
16371	0	0	0	0	0	0
16363	3	2	2.25	1.633	2.33	90mm

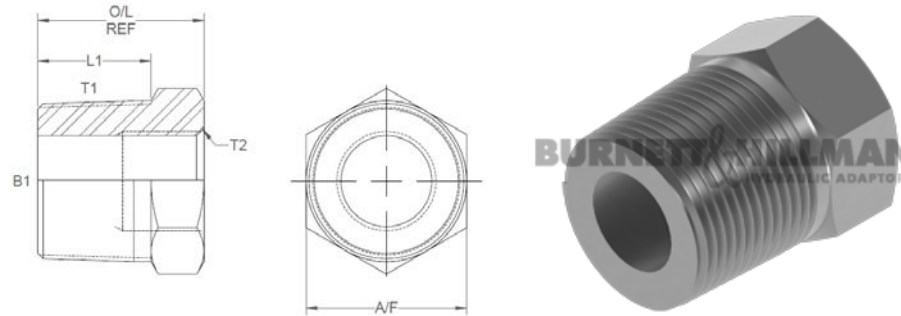
A/F dimensions are imperial unless stated.



	T1	T2	B1	L1	O/L	A/F
16350	1/4	1/8	8.74	14.22	19.3	0.562
16351	3/8	1/4	11.81	14.22	20.07	0.687
16352	1/2	1/4	11.81	19.05	25.15	22mm
16354	3/4	1/4	11.81	19.05	27.94	27mm
16355	3/4	3/8	15.24	19.05	27.94	27mm
16356	3/4	1/2	19.05	19.05	27.94	27mm
16357	1	1/4	11.81	24.64	34.8	1.375
16358	1	3/8	15.24	24.64	34.8	1.375
16359	1	1/2	19.05	24.64	34.8	1.375
16360	1	3/4	24.51	24.64	34.8	1.375
16374	0	0	0	0	0	0
16367	1-1/4	1/2	19.05	24.64	37.34	1.75
16372	1-1/4	3/4	24.51	24.64	37.34	1.75
16369	1-1/4	1	30.76	24.64	37.34	1.75
16375	1-1/2	1/2	19.05	25.4	38.1	50mm
16370	1-1/2	3/4	24.51	25.4	38.1	50mm
16368	1-1/2	1	30.76	25.4	38.1	50mm
16365	2	1	30.76	26.16	43.94	65mm
16362	2	1-1/4	39.5	26.16	43.94	65mm
16373	2	1-1/2	45.24	26.16	43.94	65mm

DESIGN DETAILS AND SPECIFICATIONS SUBJECT TO CHANGE WITHOUT PRIOR NOTICE - Whilst every effort has been made to ensure the accuracy of the information supplied herein, Burnett & Hillman cannot be held responsible for any errors or omissions (E&OE)

A/F dimensions are imperial unless stated.



	T1	T2	B1	L1	O/L	A/F
16361	2-1/2	1-1/2	45.24	38.61	55.12	3.25
16349	2-1/2	2	57.15	38.61	55.12	3.25
16364	3	1	30.76	41.48	59.18	90mm
16371	0	0	0	0	0	0
16363	3	2	57.15	41.48	59.18	90mm