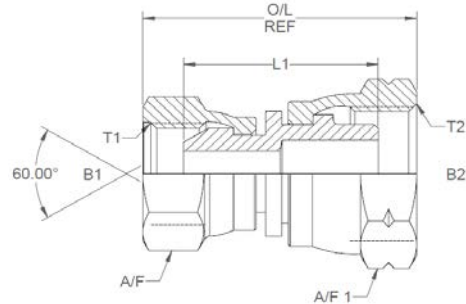


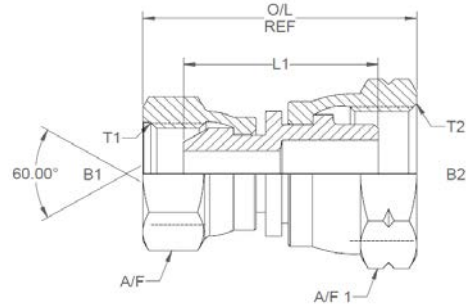
All dimensions are imperial unless stated.



	T1	T2	B1	B2	L1	O/L	A/F	A/F1
01800	1/4	M12 x 1.5	0.172	0.125	1.01	1.41	0.71	0.687
01801	1/4	M14 x 1.5	0.172	0.203	1.08	1.44	19mm	19mm
01802	3/8	M12 x 1.5	0.296	0.125	1.112	1.57	0.812	0.687
01804	3/8	M14 x 1.5	0.271	0.203	1.182	1.578	22mm	19mm
01805	3/8	M16 x 1.5	0.281	0.281	1.153	1.61	22mm	22mm
01806	3/8	M18 x 1.5	0.271	0.271	1.204	1.64	22mm	24mm
01807	3/8	M20 x 1.5	0.281	0.281	1.204	1.64	22mm	27mm
01808	3/8	M22 x 1.5	0.271	0.437	1.214	1.68	22mm	27mm
01809	1/2	M16 x 1.5	0.375	0.281	1.169	1.67	27mm	22mm
01810	1/2	M18 x 1.5	0.375	0.343	1.22	1.68	27mm	24mm
01811	1/2	M20 x 1.5	0.375	0.281	1.22	1.69	27mm	27mm
01812	1/2	M22 x 1.5	0.375	0.437	1.23	1.74	27mm	27mm
01813	5/8	M18 x 1.5	0.5	0.343	1.192	1.83	1.1	0.92

DESIGN DETAILS AND SPECIFICATIONS SUBJECT TO CHANGE WITHOUT PRIOR NOTICE - Whilst every effort has been made to ensure the accuracy of the information supplied herein, Burnett & Hillman cannot be held responsible for any errors or omissions (E&OE)

A/F dimensions are imperial unless stated.



	T1	T2	B1	B2	L1	O/L	A/F	A/F1
01800	1/4	M12 x 1.5	4.37	3.18	25.65	35.81	0.71	0.687
01801	1/4	M14 x 1.5	4.37	5.16	27.43	36.58	19mm	19mm
01802	3/8	M12 x 1.5	7.52	3.18	28.24	39.88	0.812	0.687
01804	3/8	M14 x 1.5	6.88	5.16	30.02	40.08	22mm	19mm
01805	3/8	M16 x 1.5	7.14	7.14	29.29	40.89	22mm	22mm
01806	3/8	M18 x 1.5	6.88	6.88	30.58	41.66	22mm	24mm
01807	3/8	M20 x 1.5	7.14	7.14	30.58	41.66	22mm	27mm
01808	3/8	M22 x 1.5	6.88	11.1	30.84	42.67	22mm	27mm
01809	1/2	M16 x 1.5	9.53	7.14	29.69	42.42	27mm	22mm
01810	1/2	M18 x 1.5	9.53	8.71	30.99	42.67	27mm	24mm
01811	1/2	M20 x 1.5	9.53	7.14	30.99	42.93	27mm	27mm
01812	1/2	M22 x 1.5	9.53	11.1	31.24	44.2	27mm	27mm
01813	5/8	M18 x 1.5	12.7	8.71	30.28	46.48	1.1	0.92

DESIGN DETAILS AND SPECIFICATIONS SUBJECT TO CHANGE WITHOUT PRIOR NOTICE - Whilst every effort has been made to ensure the accuracy of the information supplied herein, Burnett & Hillman cannot be held responsible for any errors or omissions (E&OE)