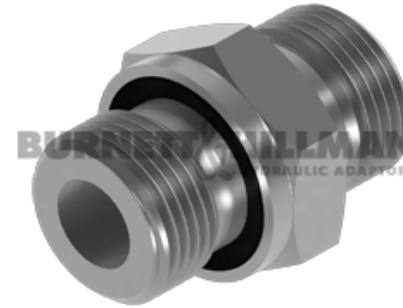
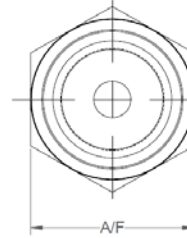
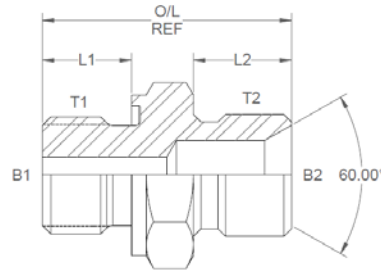
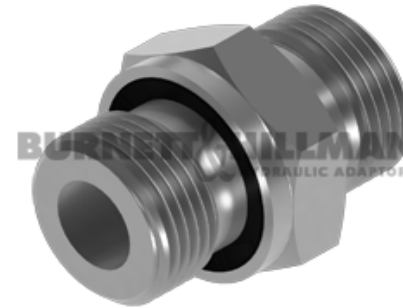
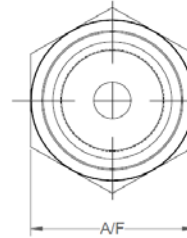
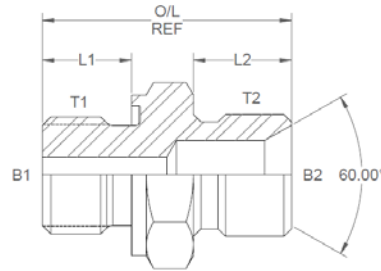


All dimensions are imperial unless stated.



	T1	T2	B1	B2	L1	L2	O/L	A/F
00502-M12-CS	M12 x 1.5	1/4	0.157	0.185	0.472	0.45	1.276	19mm
00506-M14-CS	M14 x 1.5	1/4	0.25	0.185	0.472	0.433	1.264	19mm
00507-M14-CS	M14 x 1.5	3/8	0.197	0.375	0.472	0.52	1.321	22mm
00511-M16-CS	M16 x 1.5	1/2	0.354	0.5	0.472	0.6	1.47	27mm
00514-M18-CS	M18 x 1.5	1/4	0.315	0.25	0.472	0.45	1.35	24mm
00515-M18-CS	M18 x 1.5	3/8	0.315	0.375	0.472	0.52	1.39	24mm
00516-M18-CS	M18 x 1.5	1/2	0.315	0.5	0.472	0.6	1.47	27mm
00526-M22-CS	M22 x 1.5	1/2	0.472	0.437	0.551	0.551	1.495	27mm

A/F dimensions are imperial unless stated.



	T1	T2	B1	B2	L1	L2	O/L	A/F
00502-M12-CS	M12 x 1.5	1/4	0.157	0.185	0.472	0.45	1.276	19mm
00506-M14-CS	M14 x 1.5	1/4	0.25	0.185	0.472	0.433	1.264	19mm
00507-M14-CS	M14 x 1.5	3/8	0.197	0.375	0.472	0.52	1.321	22mm
00511-M16-CS	M16 x 1.5	1/2	0.354	0.5	0.472	0.6	1.47	27mm
00514-M18-CS	M18 x 1.5	1/4	0.315	0.25	0.472	0.45	1.35	24mm
00515-M18-CS	M18 x 1.5	3/8	0.315	0.375	0.472	0.52	1.39	24mm
00516-M18-CS	M18 x 1.5	1/2	0.315	0.5	0.472	0.6	1.47	27mm
00526-M22-CS	M22 x 1.5	1/2	0.472	0.437	0.551	0.551	1.495	27mm