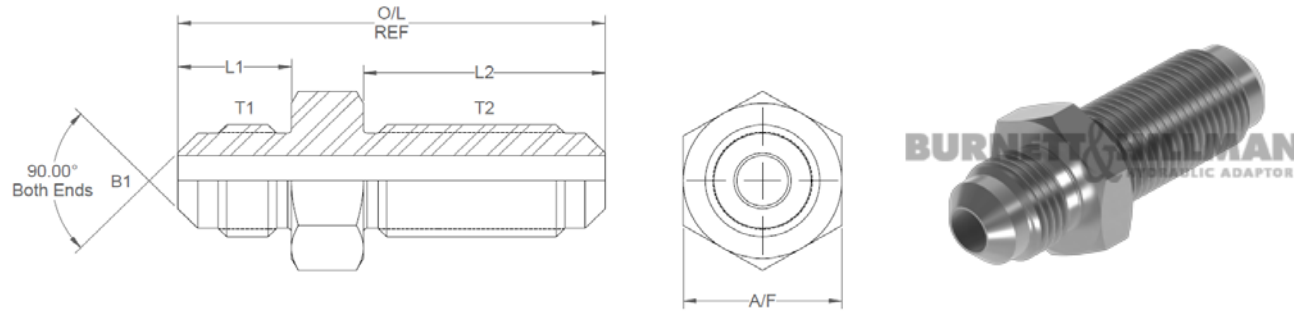


All dimensions are imperial unless stated.

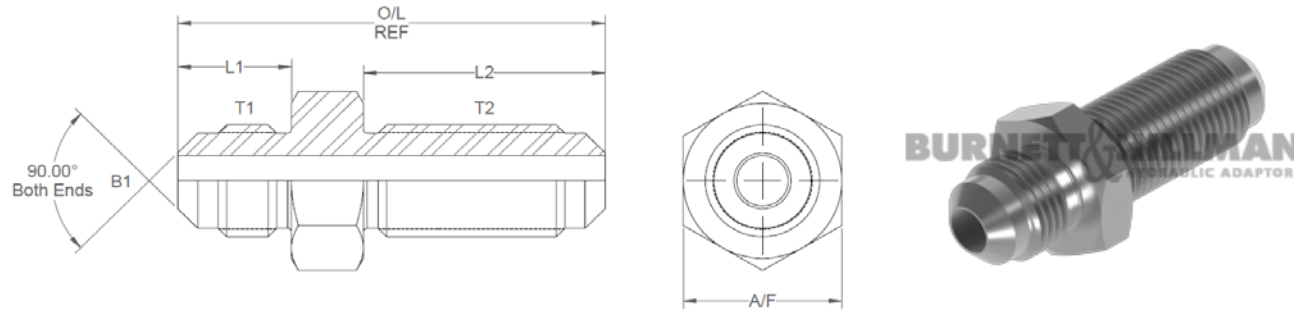


	T1	T2	B1	L1	L2	O/L	A/F
09805	5/8	5/8	0.281	0.62	1.32	2.24	0.875

**SAE male x SAE male 45° external flare
bulkhead LESS LOCKNUT**

Nov-21
0133 METRIC

A/F dimensions are imperial unless stated.



	T1	T2	B1	L1	L2	O/L	A/F
09805	5/8	5/8	7.14	15.75	33.53	56.90	0.875